

# LS3000 (C625)

# PARTS CATALOG

First edition, December 2003

Ricoh Company, LTD.

**LS3000 (C625)**

## LS3000 (C625)

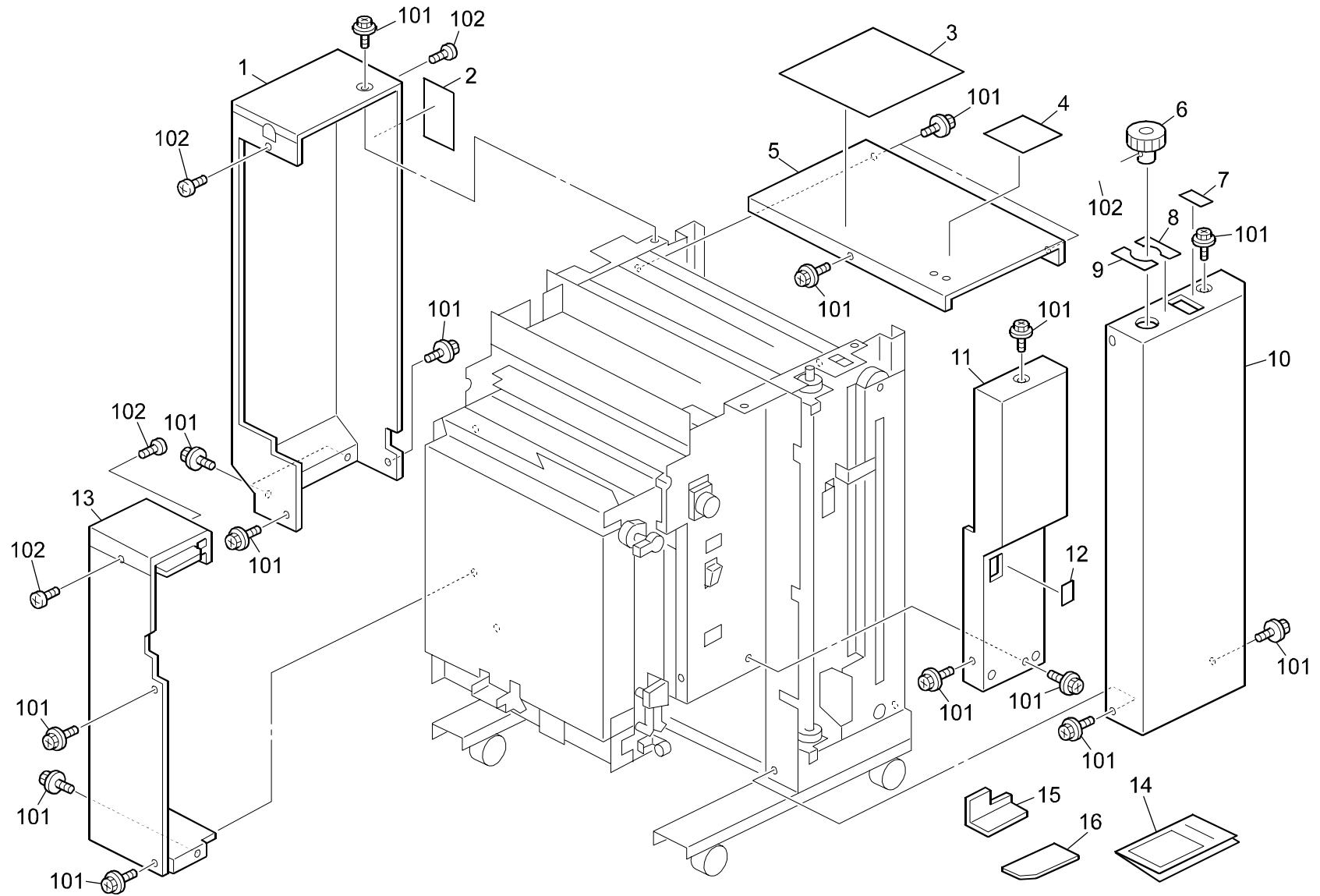
### PARTS CATALOG

This catalog gives the numbers and names of parts on this machine.

1.LCIT1 (C625).....	2	18.LCOT 7 (C625) .....	36
2.LCIT2 (C625).....	4	19.LCIT BOARD (C625) .....	38
3.LCIT3 (C625).....	6	20.LCOT BOARD (C625) .....	42
4.LCIT4 (C625).....	8	<b>PARTS INDEX.....</b>	<b>45</b>
5.LCIT5 (C625).....	10		
6.LCIT6 (C625).....	12		
7.LCIT7 (C625).....	14		
8.LCIT8 (C625).....	16		
9.LCIT9 (C625).....	18		
10.LCIT10 (C625).....	20		
11.LCIT11 (C625).....	22		
12.LCOT 1 (C625).....	24		
13.LCOT 2 (C625).....	26		
14.LCOT 3 (C625).....	28		
15.LCOT 4 (C625).....	30		
16.LCOT 5 (C625).....	32		
17.LCOT 6 (C625).....	34		

December ,25 ' 2003

# 1.LCIT1 (C625)

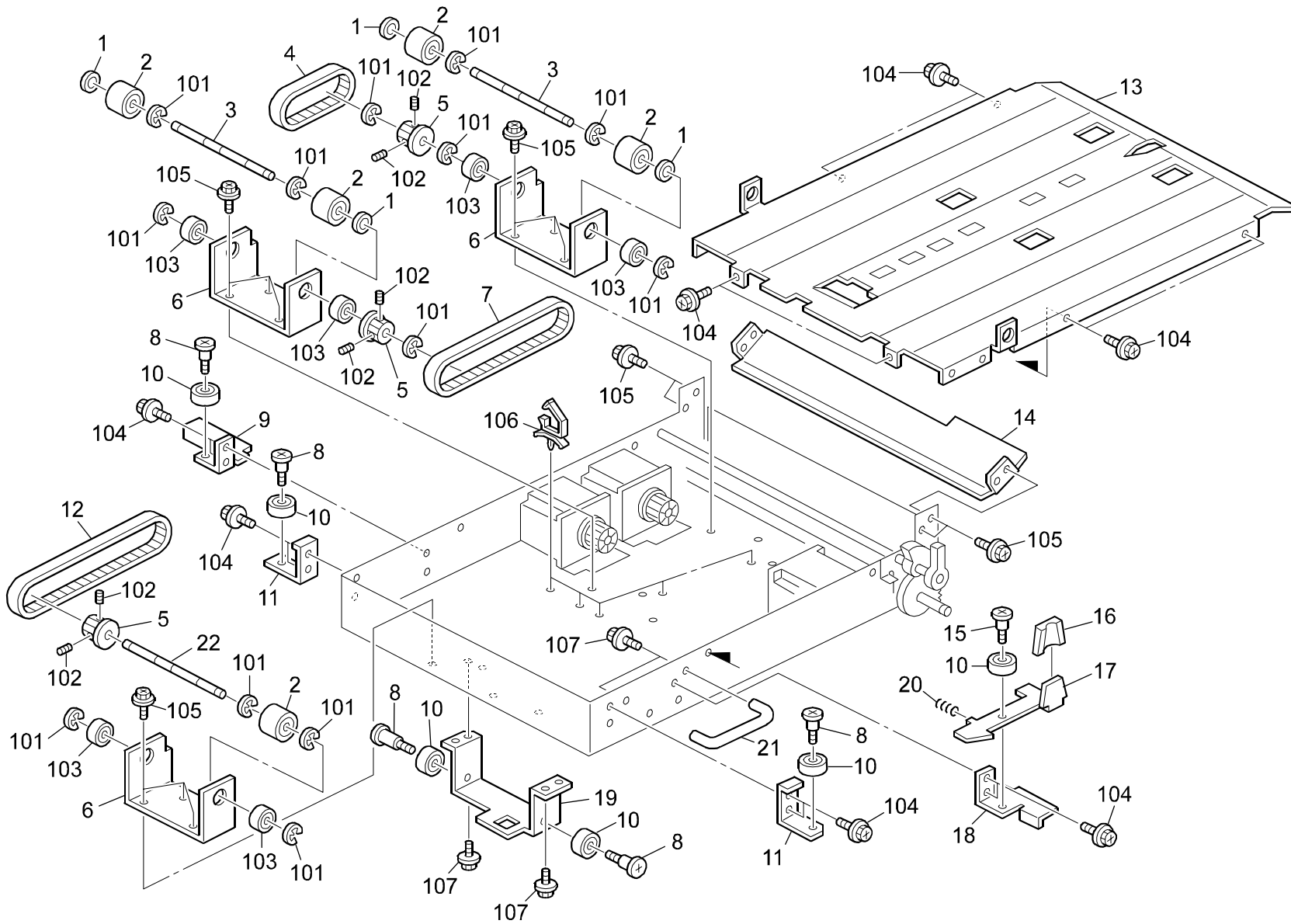


### 1.LCIT1 (C625)

Index No.	Part No.	Description	Q'ty Per Assembly
1	C625 1304	Back Cover - IT	1
2	C625 1358	Decal- Caution	1
3	C625 1359	Decal - Operation	1
4	C625 1356	Decal - LED	1
5	C625 1301	Upper Cover - IT	1
6	C625 3075	Paper Size Adjust Knob	1
7	C625 1354	Decal - IT Paper Feed	1
8	C625 1353	Decal - Closeb Side Fence	1
9	C625 1352	Decal - Open Side Fence	1
10	C625 1302	Front Cover - IT&OT	1
11	C625 1303	Front Cover - Feed Unit	1
12	C625 1351	Decal - Main SW	1
13	C625 1305	Back Cover - Feed Unit	1
14	C625 8601	Operating Instructions - NA	1
14	C625 8602	Operting Instructions - EU	1
15	C625 3063	Side Fence Guide	1
16	C625 3062	Long Guide	1

Index No.	Part No.	Description	Q'ty Per Assembly
101	0451 4008H	Tapping Screw - 4x8	
102	0451 3006H	Tapping Screw - 3x6	

## 2.LCIT2 (C625)

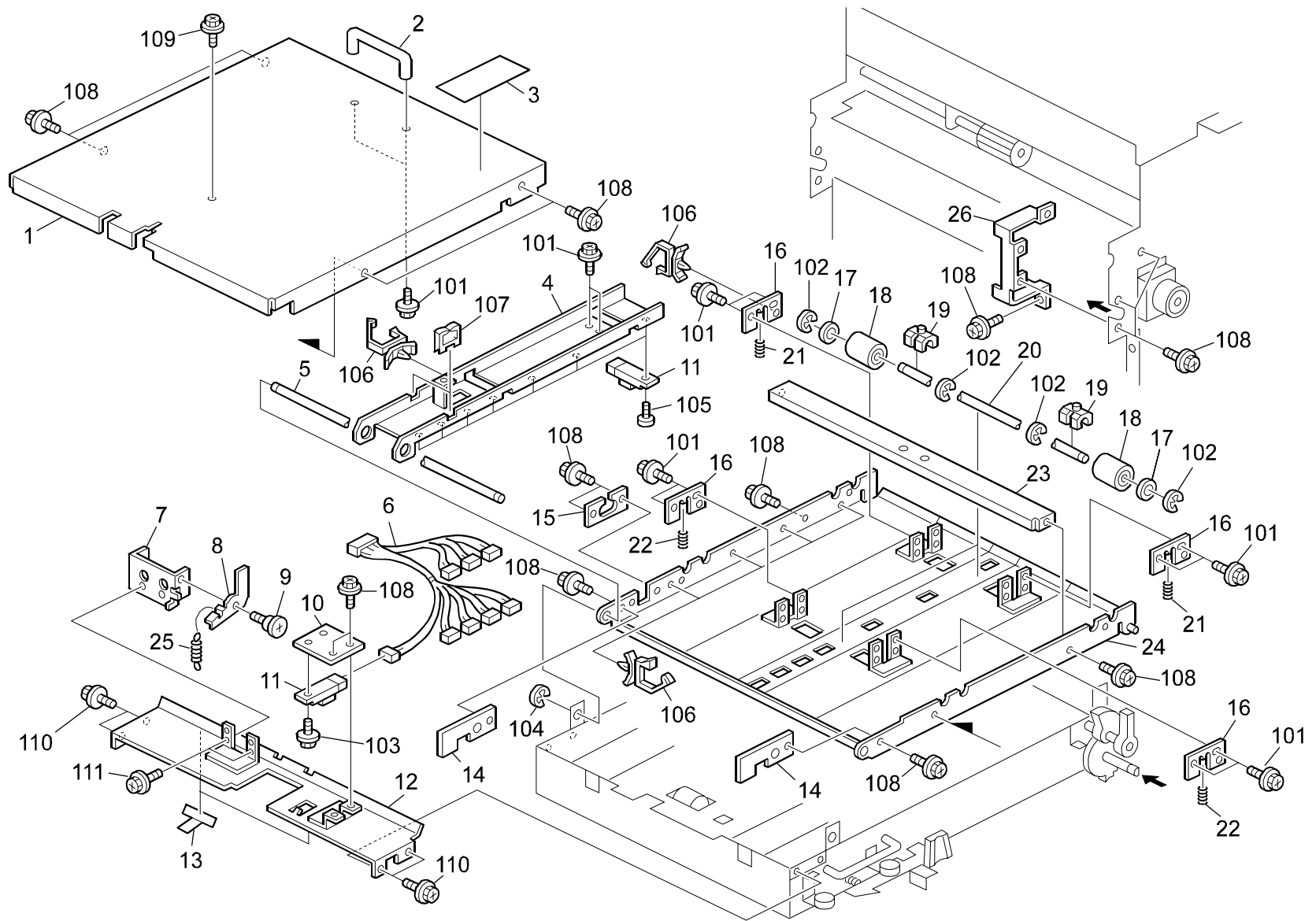


## 2.LCIT2 (C625)

Index No.	Part No.	Description	Q'ty Per Assembly
1	G006 4917	Spacer : 8x0.2	4
2	<b>C625 3244</b>	<b>Feed Roller</b>	<b>5</b>
3	C625 3242	Roller Shaft	2
4	C625 3240	1st Timing Belt - 84xl037	1
5	C229 2907	Registration Roller Pulley - 14Z	3
6	C625 3246	1st Bracket	3
7	C625 3250	2nd Timing Belt - 120xl037	1
8	AA14 3129	Shoulder Screw - Front Cover	4
9	C625 3116	Back Supporter	1
10	A300 2134	Guide Roller - B	5
11	C625 3112	Guide Holder	2
12	C625 3266	3rd Timing Belt - 198xl037	1
13	C625 3108	Under Guide Board	1
14	C625 3106	Upper Guide Board	1
15	5203 2679	Pinion Tightening Screw - M4x5	1
16	C252 2783	Knob:Lever:Pressure:Paper Feed Tray	1
17	C625 3118	Conect Stopper - LCIT	1
18	C625 3114	Front Supporter	1
19	C625 3300	Stand Holder	1
20	5887 4156	Spring - Driven Roller	1
21	C625 3078	Handle - A - PC-80	1
22	C625 3262	3rd Shaft	1

Index No.	Part No.	Description	Q'ty Per Assembly
101	0720 0060E	Retaining Ring - M6	
102	0574 0040E	Hexagon Headless Set Screw - M4x4	
103	0805 3368	Ball Bearing - 8x16x5mm	
104	0451 4006H	Tapping Screw - M4x6	
105	0802 5282	Tapping Screw - M4x8	
106	1105 0516	Clamp	
107	0451 4006B	Tapping Screw - 4x6	

### 3.LCIT3 (C625)



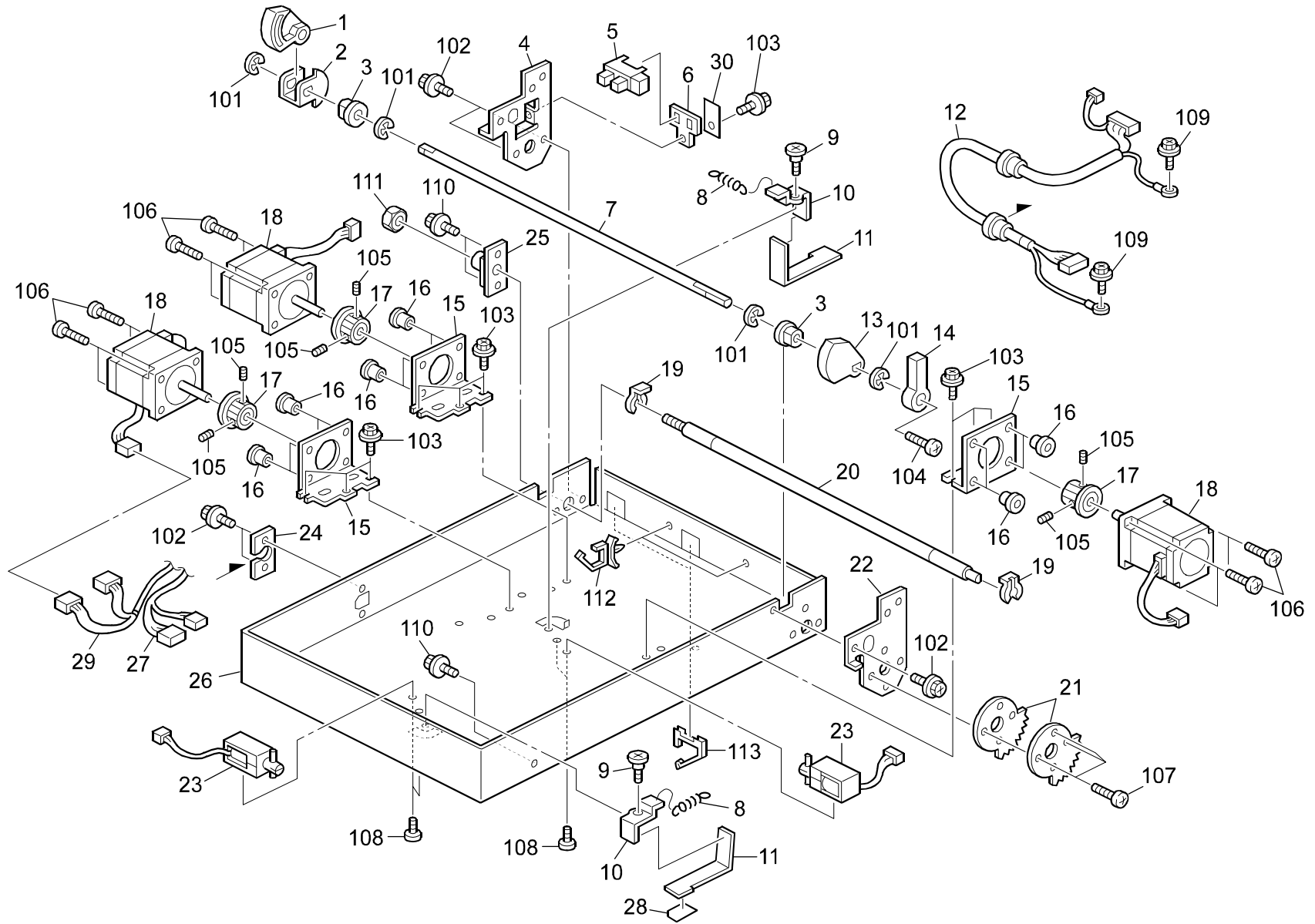


### 3.LCIT3 (C625)

Index No.	Part No.	Description	Q'ty Per Assembly
1	C625 3074	Upper Cover - Intermediate	1
2	C625 3078	Handle - A - PC-80	1
3	C625 1360	Decal - Intermediate Caution	1
4	C625 3152	Sensor Holder	1
5	C625 3070	Upper Fedding Shaft	1
6	C625 5202	Intermediate Harness	1
7	C625 3086	Feeler Folder	1
8	C625 3088	Feeler Guide	1
9	A499 1378	Stepped Screw - M4x6	1
10	C625 3084	8th Cover	1
11	C229 5807	Photosensor - GP2A25	2
12	C625 3170	Exit Guide Board	1
13	<b>C625 3175</b>	<b>Brake Guide</b>	<b>1</b>
14	C625 3076	Guide Board Stopper	2
15	C625 3110	Bushing Bracket	1
16	C625 3158	Upper Pressure Board	3
17	C562 3398	Spacer	2
18	C232 2981	Lower Transport Roller	2
19	C232 2983	Bushing - 6mm	2
20	C625 3156	Roller Shaft	1
21	AA06 3580	Compression Spring	3
22	AA06 3610	Spring - 4060mn	1
23	C625 3154	Protect Bracket	1
24	C625 3150	Upper Guide Board	1
25	AA06 0921	Tension Spring:Shutter	1
26	C625 2968	Exit Cover	1

Index No.	Part No.	Description	Q'ty Per Assembly
101	0451 4006B	Tapping Screw - 4x6	
102	0720 0040E	Retaining Ring - M4	
103	0353 0050N	Screw:M3x5	
104	0720 0060E	Retaining Ring - M6	
105	0453 3006B	Tapping Screw - M3x6	
106	1105 0511	Harness Clamp - LWS-0306ZC	
107	1105 0328	Harness Clamp - ES-0505	
108	0451 4006H	Tapping Screw - M4x6	
109	0451 3006B	Tapping Screw - M3x6	
110	0451 4008H	Tapping Screw - 4x8	
111	0802 5276	Tapping Screw With Washer - M3x6	

# 4.LCIT4 (C625)

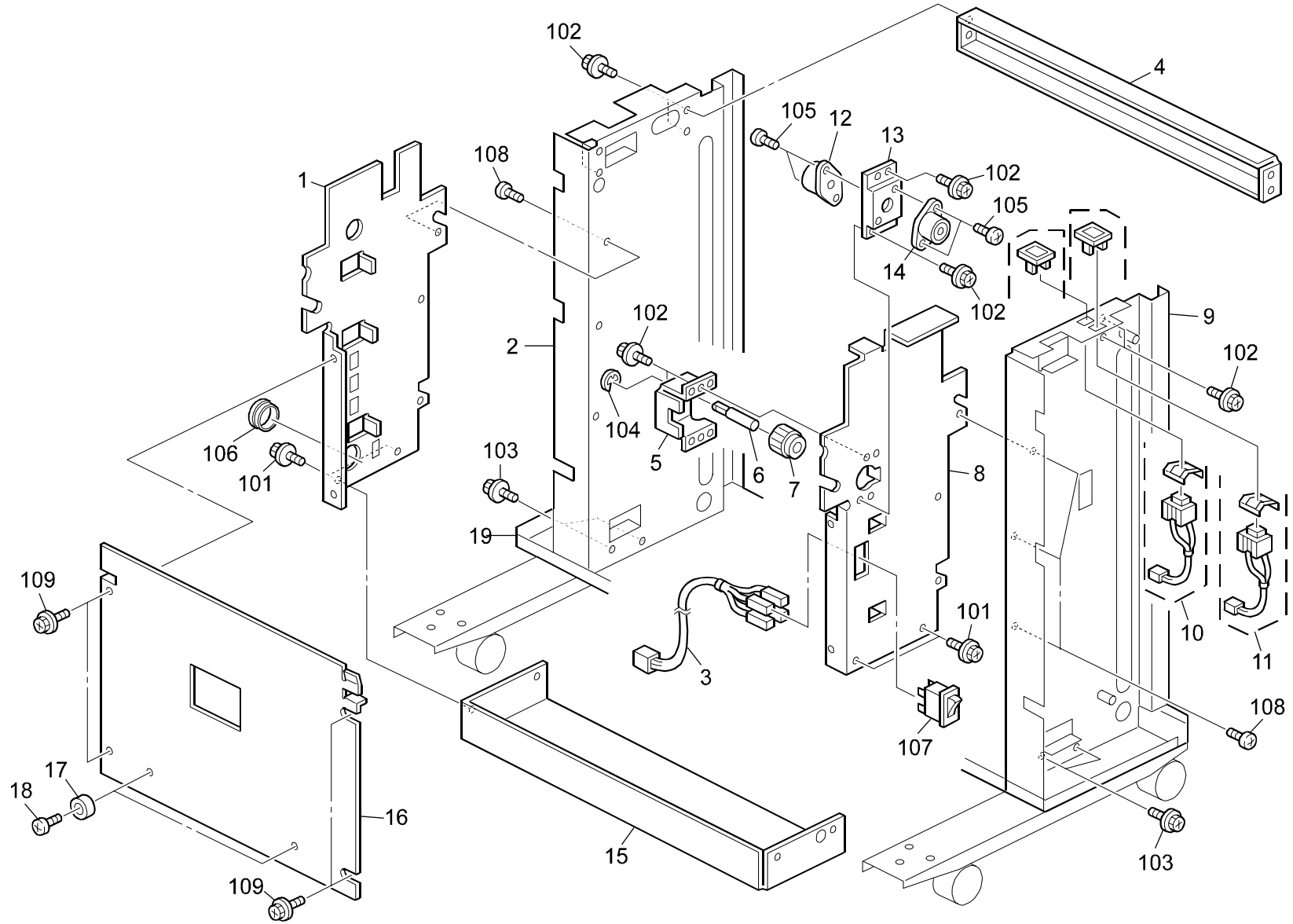


#### 4.LCIT4 (C625)

Index No.	Part No.	Description	Q'ty Per Assembly
1	C232 2989	Rhgit Cam Lock	1
2	C625 3274	Open Detection Feeler	1
3	5053 0223	Bushing - 8mm	2
4	C625 3102	Back Frame Stopper	1
5	AW02 0075	Photointerruptor	1
6	C625 3276	Open Detection Holder	1
7	C625 3272	Guide Board Shaft	1
8	AA06 0354	Pressure Spring	2
9	A499 1378	Stepped Screw - M4x6	2
10	C625 3322	Paper Detection Feeler Guide	2
11	C625 3320	Paper Detection Feeler	2
12	C625 5201	Relay Harness	1
13	C232 2988	Left Cam Lock	1
14	C625 3270	Lock Cum Lever	1
15	C625 3230	Motor Bracket	3
16	C403 1899	Rubber Bushing - M4	12
17	C229 2946	Motor Pulley	3
18	C238 5801	Stepper Motor - DC 13.9W	3
19	C209 3133	Retaining Ring - M6	2
20	C625 2756	Adjust Screw Shaft	1
21	C625 3105	Damper Gear	2
22	C625 3104	Front Frame Stopper	1
23	C591 1003	Paper Lock Solenoid	2
24	C625 3110	Bushing Bracket	1
25	C625 2755	Feed Unit Plate	1
26	C625 3196	Under Frame	1
27	C625 5205	M4 Relay Harness	1
28	C625 3062	Long Guide	1
29	C625 5204	M2-m3 Relay Harness	1
30	A267 1820	Sheet - Photointerrupter	1

Index No.	Part No.	Description	Q'ty Per Assembly
101	0720 0060E	Retaining Ring - M6	
102	0451 4006H	Tapping Screw - M4x6	
103	0802 5282	Tapping Screw - M4x8	
104	0453 3006B	Tapping Screw - M3x6	
105	0574 0040E	Hexagon Headless Set Screw - M4x4	
106	0354 0140B	Screw - M4x14	
107	0354 0100B	Screw - M4x10	
108	0352 5040N	Screw-m2.5x4	
109	0451 3006B	Tapping Screw - M3x6	
110	0802 5281	Tapping Screw - M4x6	
111	0711 0100N	Hexagonal Nut-m10	
112	1105 0516	Clamp	
113	1105 0544	Edge Saddle:Les-2017	

# 5.LCIT5 (C625)

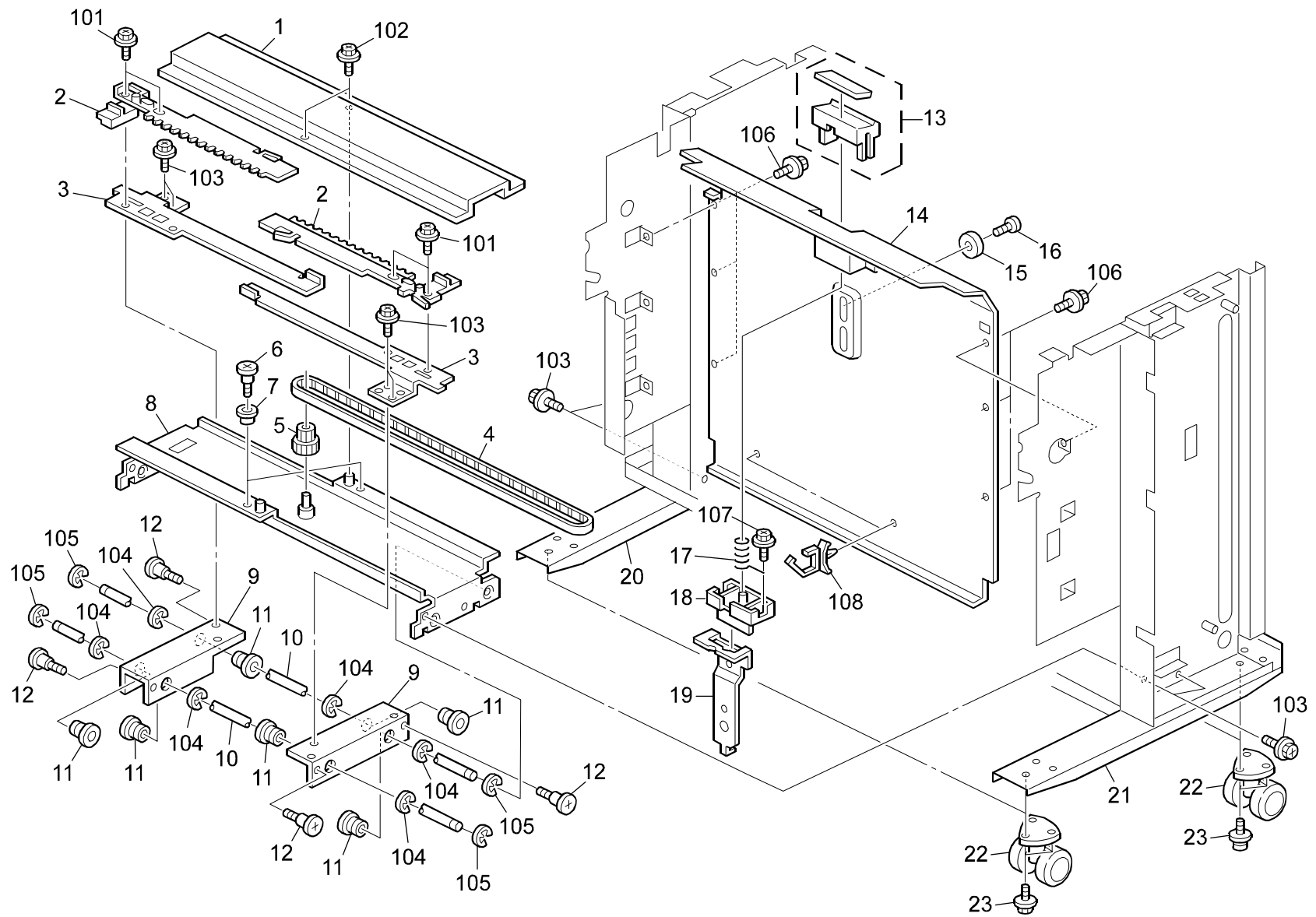


### 5.LCIT5 (C625)

Index No.	Part No.	Description	Q'ty Per Assembly
1	C625 2752	Back Feed Side Board	1
2	C625 1054	Behind Side Board	1
3	C625 5211	Main SW Harness	1
4	C625 1060	Upper Stay	1
5	C625 2958	Back Damper Bracket	1
6	C625 2960	Damper Shaft	1
7	C563 1312	Gear - 20Z	1
8	C625 2750	Front Feed Side Board	1
9	C625 1052	Front Side Board	1
10	C625 5805	Push Sw	1
11	C209 8288	Table Down Switch	1
12	C625 2965	Back Damper	1
13	C625 2962	Damper Front Bracket	1
14	C625 2964	Front Damper	1
15	C625 2758	Auxiliary Stay	1
16	C625 2850	Left Stay - Intermediate	1
17	5938 2765	Rubber Pad	2
18	AA14 3716	Stepped Screw	2
19	C625 1120	Base Flame	1

Index No.	Part No.	Description	Q'ty Per Assembly
101	0451 4008B	Philips Tapping Screw - M4x8	
102	0451 4006B	Tapping Screw - 4x6	
103	0802 5282	Tapping Screw - M4x8	
104	0720 0060E	Retaining Ring - M6	
105	0353 0060B	Philips Pan Head Screw - M3x6	
106	1106 0348	Bushing - 19	
107	1204 2501	Main Switch	
108	0354 0040N	Screw:M4x4	
109	0451 4006H	Tapping Screw - M4x6	

# 6.LCIT6 (C625)

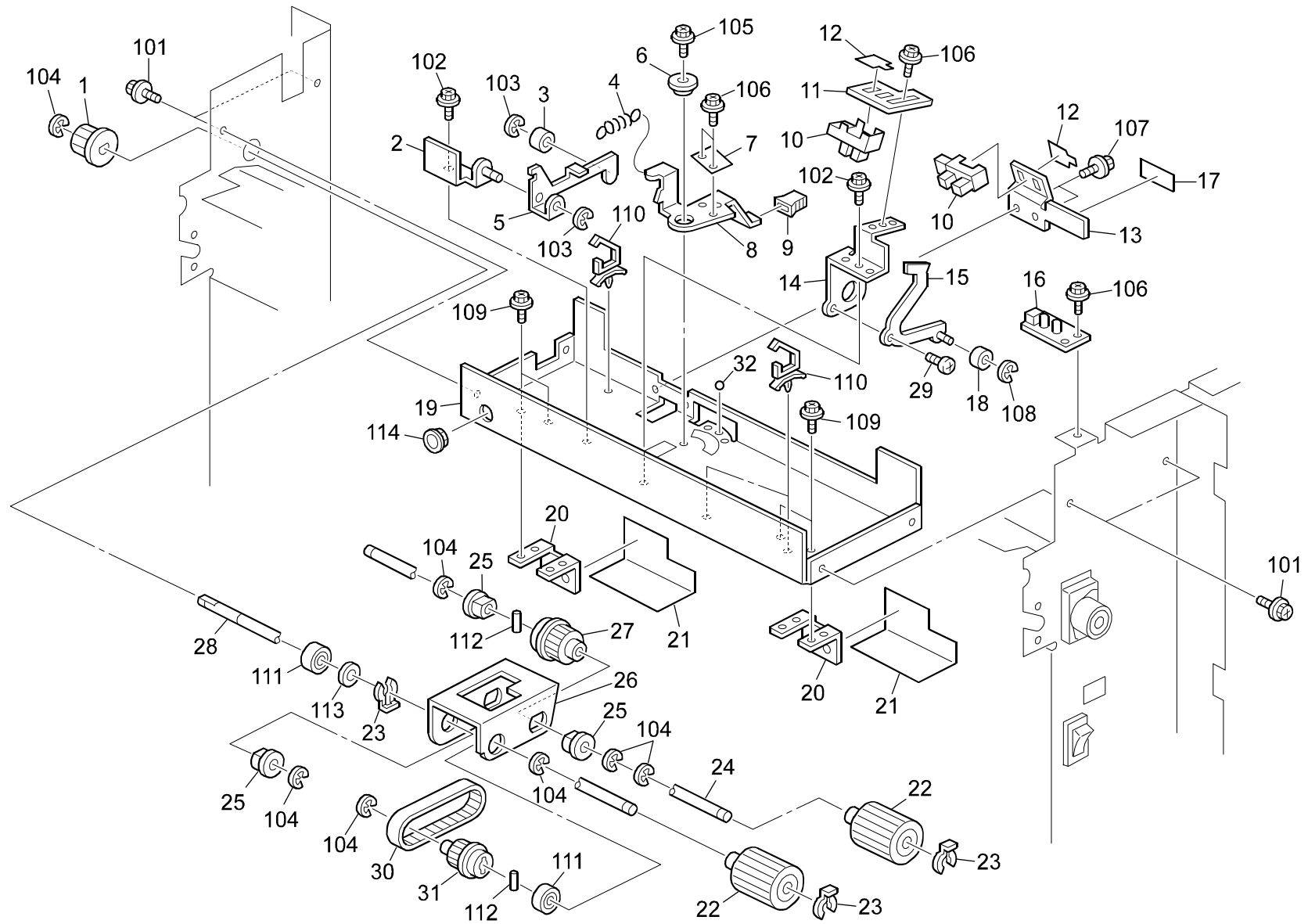


## 6.LCIT6 (C625)

Index No.	Part No.	Description	Q'ty Per Assembly
1	C625 3054	Side Fence Bracket	1
2	C229 2781	Side Fence Rack	2
3	C625 3056	Rack Bracket	2
4	C625 3052	Timing Belt - S3M 486	1
5	AB01 7213	Gear - 18/15Z	1
6	5419 5714	Stepped Screw - M4	2
7	AA08 0247	Bushing - B-F6-3	2
8	C625 3050	Side Fence Base	1
9	C625 3058	Side Fence Guide Bracket	2
10	C625 3060	Side Fence Guide Shaft	2
11	C625 3061	Bushing:Guide:Side Fence	6
12	AA14 3715	Stepped Screw - M5	4
13	<b>C238 2845</b>	<b>Separation Pad</b>	<b>1</b>
14	C625 2910	Paper Feed Plate Ass'y	1
15	C238 2874	Screw Holder	1
16	C238 2873	Adjusting Screw	1
17	C238 2878	Separation Spring	1
18	C238 2877	Separation Spring Holder	1
19	C238 2875	Separation Adjuster	1
20	C625 1116	Caster Stay	1
21	C625 1116	Caster Stay	1
22	AH01 2010	Caster - 50m	4
23	C625 1118	Screw-m4*12	12

Index No.	Part No.	Description	Q'ty Per Assembly
101	0451 3008B	Tapping Scew - M3x8	
102	0451 3006B	Tapping Screw - M3x6	
103	0802 5282	Tapping Screw - M4x8	
104	0720 0080E	Retaining Ring - M8	
105	0720 0040E	Retaining Ring - M4	
106	0451 4006B	Tapping Screw - 4x6	
107	0450 3006B	Tapping Screw - M3x6	
108	1105 0516	Clamp	

# 7.LCIT7 (C625)



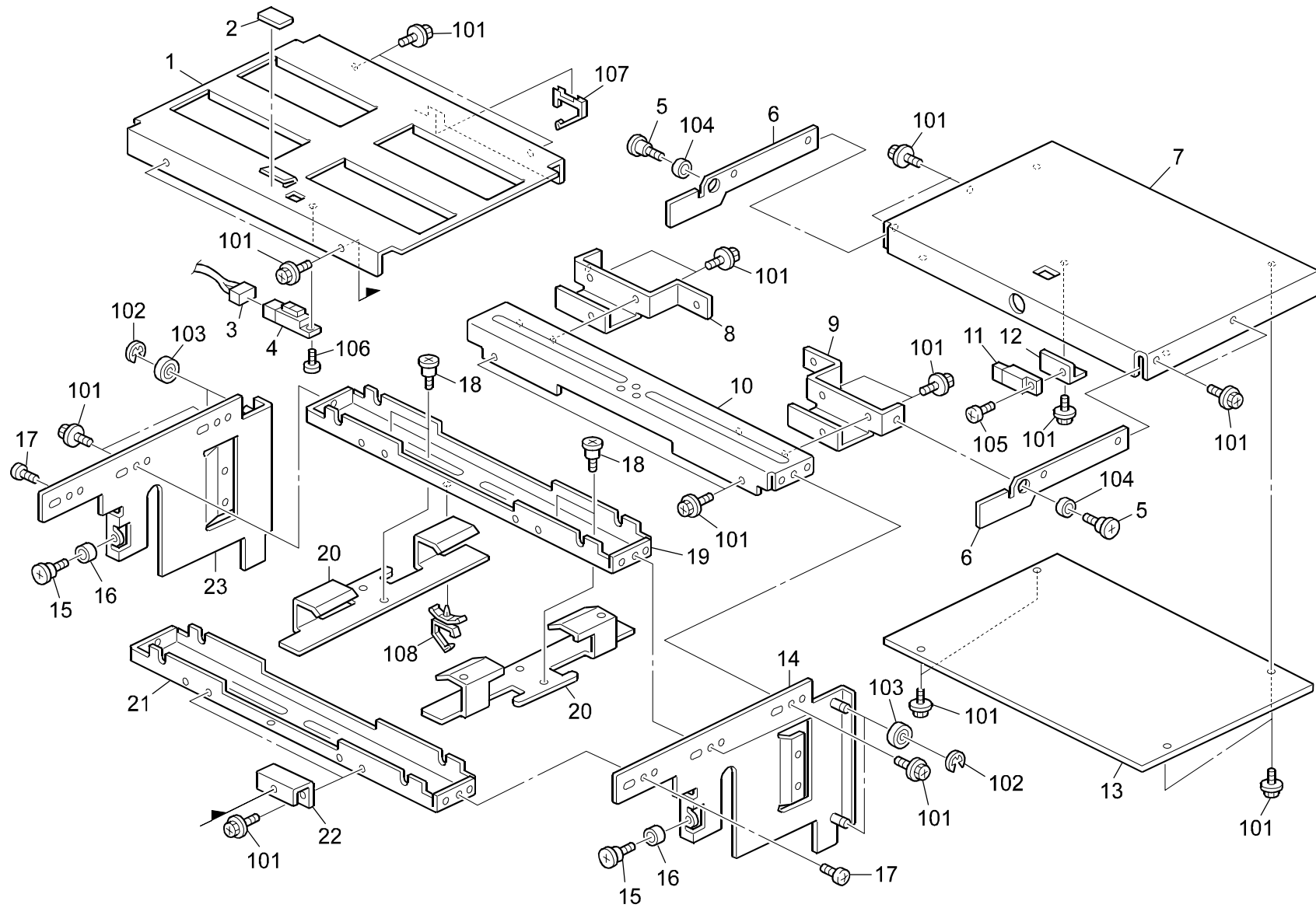


## 7.LCIT7 (C625)

Index No.	Part No.	Description	Q'ty Per Assembly
1	6803 4211	Pulley - 18T	1
2	C238 2936	Arm Bracket	1
3	C238 2935	Paper Pressure Roller	1
4	C238 2939	Spring	1
5	C238 2931	Paper Pressure Arm	1
6	C209 5220	Spacer - 4x20x6	1
7	C238 2929	Spring Plate	1
8	C625 2810	Feed Pressure Lever	1
9	C238 2932	Lever Knob	1
10	AW02 0075	Photointerruptor	2
11	C238 2867	Paper Sensor Bracket	1
12	A267 1820	Sheet - Photointerrupter	2
13	C625 2812	Position Sensor Bracket	1
14	C238 2865	Retainer	1
15	C238 2868	Paper Actuator	1
16	C232 5802	Circuit Board LED Ass'y	1
17	C625 1357	Decal - Feed Pressure	1
18	C238 2864	Paper Sensor Roller	1
19	C625 2754	Feed Roller Stay	1
20	C625 3312	Guide:Bearing	2
21	C625 2920	Guide Board Sheet	2
22	<b>C238 2835</b>	<b>Paper Feed Roller</b>	<b>2</b>
23	C209 3133	Retaining Ring - M6	3
24	C229 2838	Pick-up Roller Shaft	1
25	5053 0223	Bushing - 8mm	3
26	C238 2832	Feed Arm	1
27	C238 2946	Paper Feed Drive Gear	1
28	C625 2900	Separation Shaft	1
29	AA14 3402	Screw - Scale	1
30	C229 2949	Timing Belt - 75-MXL-64	1
31	C238 2947	Pick-up Pully	1
32	5501 8195	Steel Ball 3/16,	1

Index No.	Part No.	Description	Q'ty Per Assembly
101	0451 4008B	Philips Tapping Screw - M4x8	
102	0451 4006B	Tapping Screw - 4x6	
103	0720 0040E	Retaining Ring - M4	
104	0720 0050Z	Retaining Ring - M5	
105	0451 4012B	Tapping Screw - 4x12	
106	0451 3006B	Tapping Screw - M3x6	
107	0451 4006H	Tapping Screw - M4x6	
108	0720 0030E	Retaining Ring - M3	
109	0802 5281	Tapping Screw - M4x6	
110	1105 0511	Harness Clamp - LWS-0306ZC	
111	0805 3368	Ball Bearing - 8x16x5mm	
112	0633 0140G	Parallel Pin - 3x14	
113	0807 5037	Washer - 8.1mm	
114	1106 0167	Bushing - 11mm	

# 8.LCIT8 (C625)

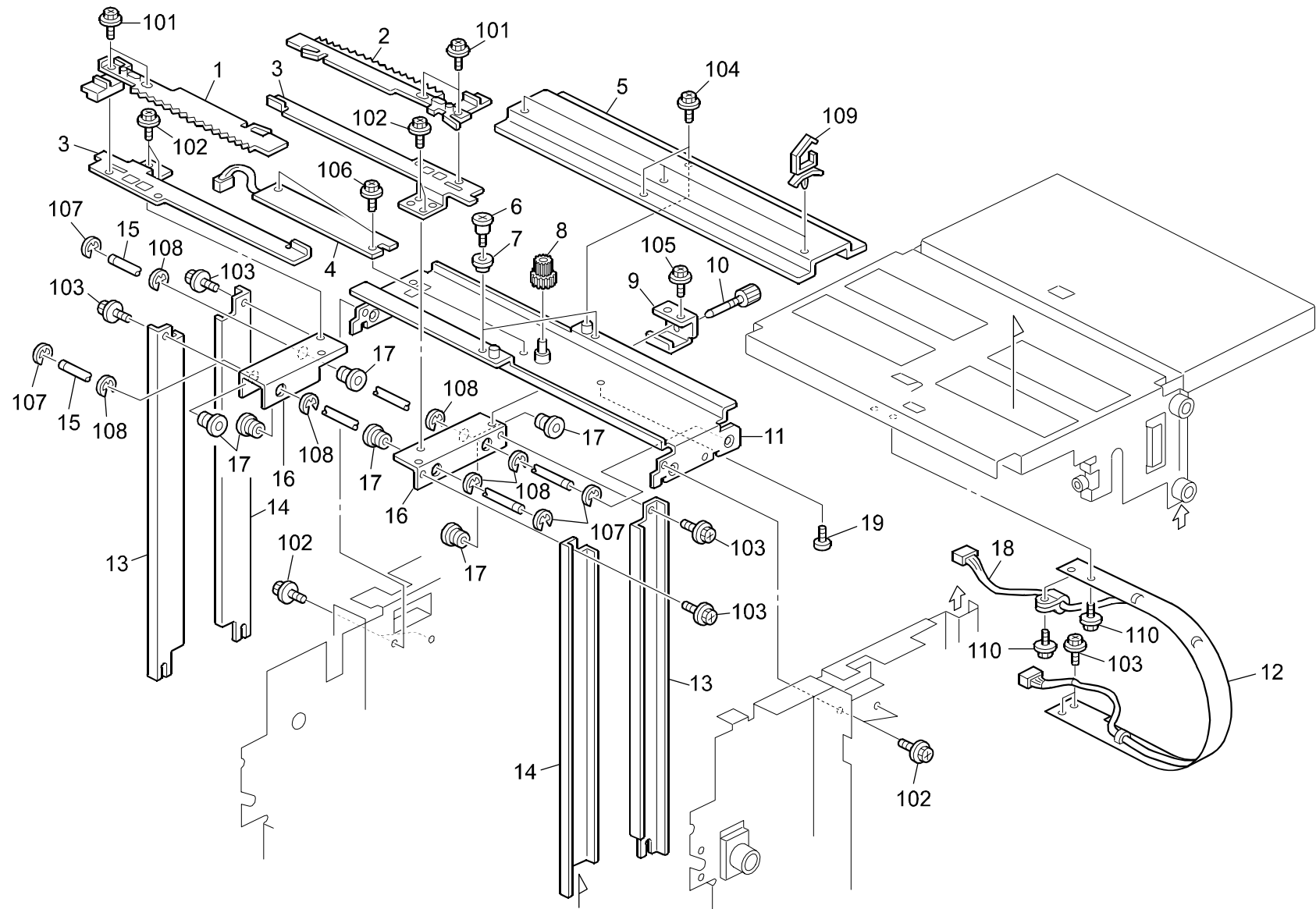


## 8.LCIT8 (C625)

Index No.	Part No.	Description	Q'ty Per Assembly
1	C625 2120	Paper Tray:Welding	1
2	C229 2840	Pad	1
3	C625 5207	Feed Tray Relay Harness	1
4	C229 5807	Photosensor - GP2A25	1
5	C219 5073	Stepped Screw	2
6	C625 2126	Tray Stay	2
7	C625 2122	Separate Feed Tray	1
8	C625 2109	Back Tray Bracket	1
9	C625 2108	Front Tray Bracket	1
10	C625 2104	Tray Stay	1
11	AW01 0087	Photo Sensor - Ass'y	1
12	C625 2128	Feed Tray Sensor Bracket	1
13	C625 2124	Delivery Bottom Board	1
14	C625 2101	Front Move Holder	1
15	AA14 3129	Shoulder Screw - Front Cover	2
16	A109 6342	Cleaning Blade Roller	2
17	5875 2088	Shoulder Screw - M4	2
18	5442 1659	Stepped Screw - M4	4
19	C625 2104	Tray Stay	1
20	C625 2106	Tray Slider	2
21	C625 2104	Tray Stay	1
22	C625 2110	Feed Tray	2
23	C625 2103	Rear Move Holder	1

Index No.	Part No.	Description	Q'ty Per Assembly
101	0451 4008H	Philips Tapping Screw - M4x8	
102	0720 0060E	Retaining Ring - M6	
103	0805 3471	Ball Bearing:DIA8xDIA22x7	
104	0708 0080N	Washer-dia8	
105	0353 0100N	Screw-m3x10	
106	0453 3006B	Tapping Screw - M3x6	
107	1105 0522	Edge Saddle - Les0510	
108	1105 0511	Harness Clamp - LWS-0306ZC	

# 9.LCIT9 (C625)

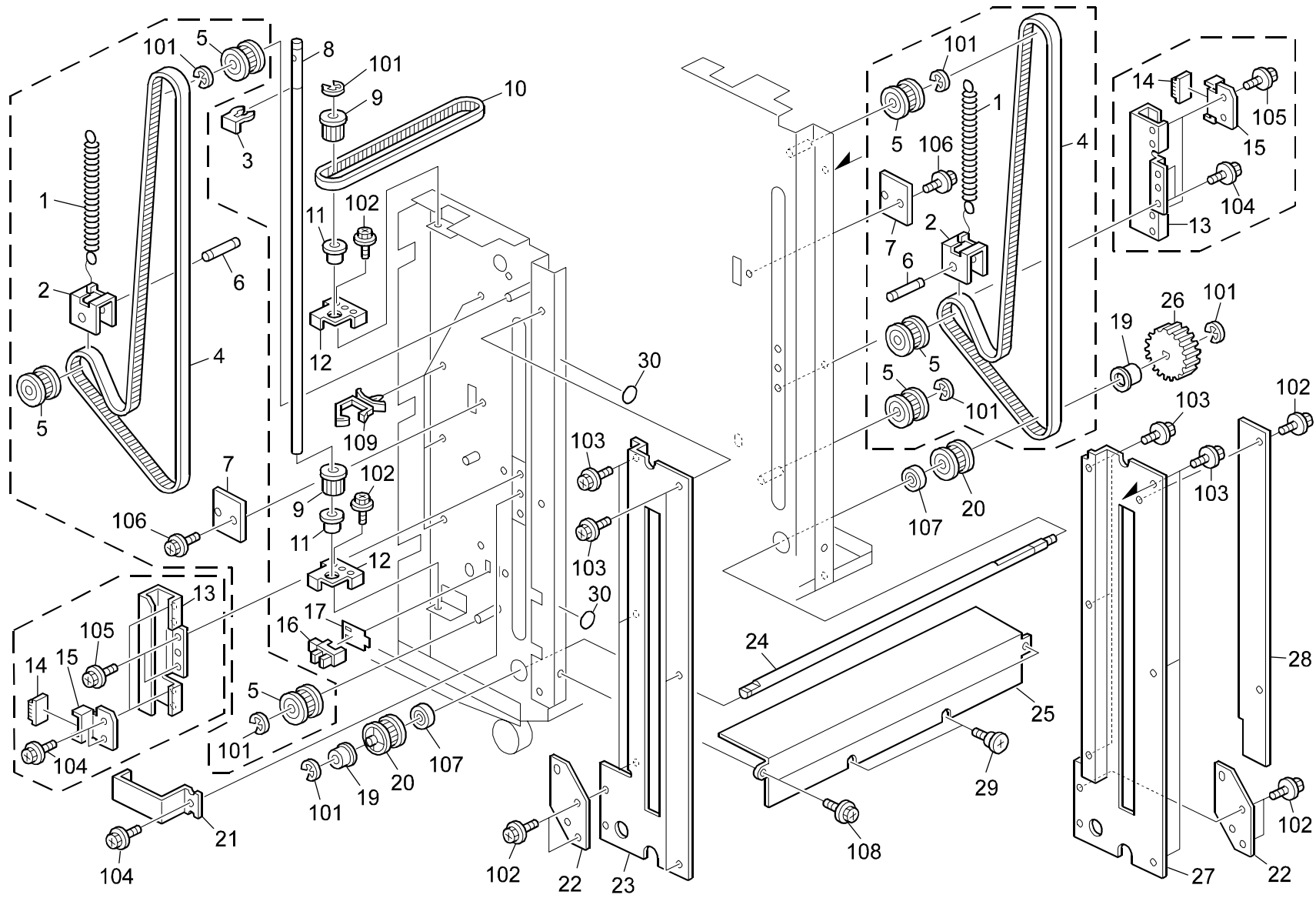


## 9.LCIT9 (C625)

Index No.	Part No.	Description	Q'ty Per Assembly
1	C229 2781	Side Fence Rack	1
2	C229 2780	Side Fence Rack - Right	1
3	C625 3056	Rack Bracket	2
4	C229 5155	Paper Size Sensor Board	1
5	C625 3054	Side Fence Bracket	1
6	5419 5714	Stepped Screw - M4	2
7	AA08 0247	Bushing - B-F6-3	2
8	AB01 7213	Gear - 18/15Z	1
9	C625 3066	Side Fence Rock Bracket	1
10	C207 4150	Fixing Screw	1
11	C625 3050	Side Fence Base	1
12	C625 2130	Harness Guide	1
13	C625 3082	Right Side Fence	2
14	C625 3080	Left Side Fence	2
15	C625 3060	Side Fence Guide Shaft	2
16	C625 3058	Side Fence Guide Bracket	2
17	C625 3061	Bushing:Guide:Side Fence	6
18	C625 5207	Feed Tray Relay Harness	1
19	A548 6121	Screw - M4	1

Index No.	Part No.	Description	Q'ty Per Assembly
101	0451 3008B	Tapping Screw - M3x8	
102	0802 5282	Tapping Screw - M4x8	
103	0802 5281	Tapping Screw - M4x6	
104	0451 3006B	Tapping Screw - M3x6	
105	0451 4006B	Tapping Screw - 4x6	
106	0954 3006B	Screw - M3X6	
107	0720 0040E	Retaining Ring - M4	
108	0720 0080E	Retaining Ring - M8	
109	1105 0511	Harness Clamp - LWS-0306ZC	
110	0451 4008H	Tapping Screw - 4x8	

# 10.LCIT10 (C625)

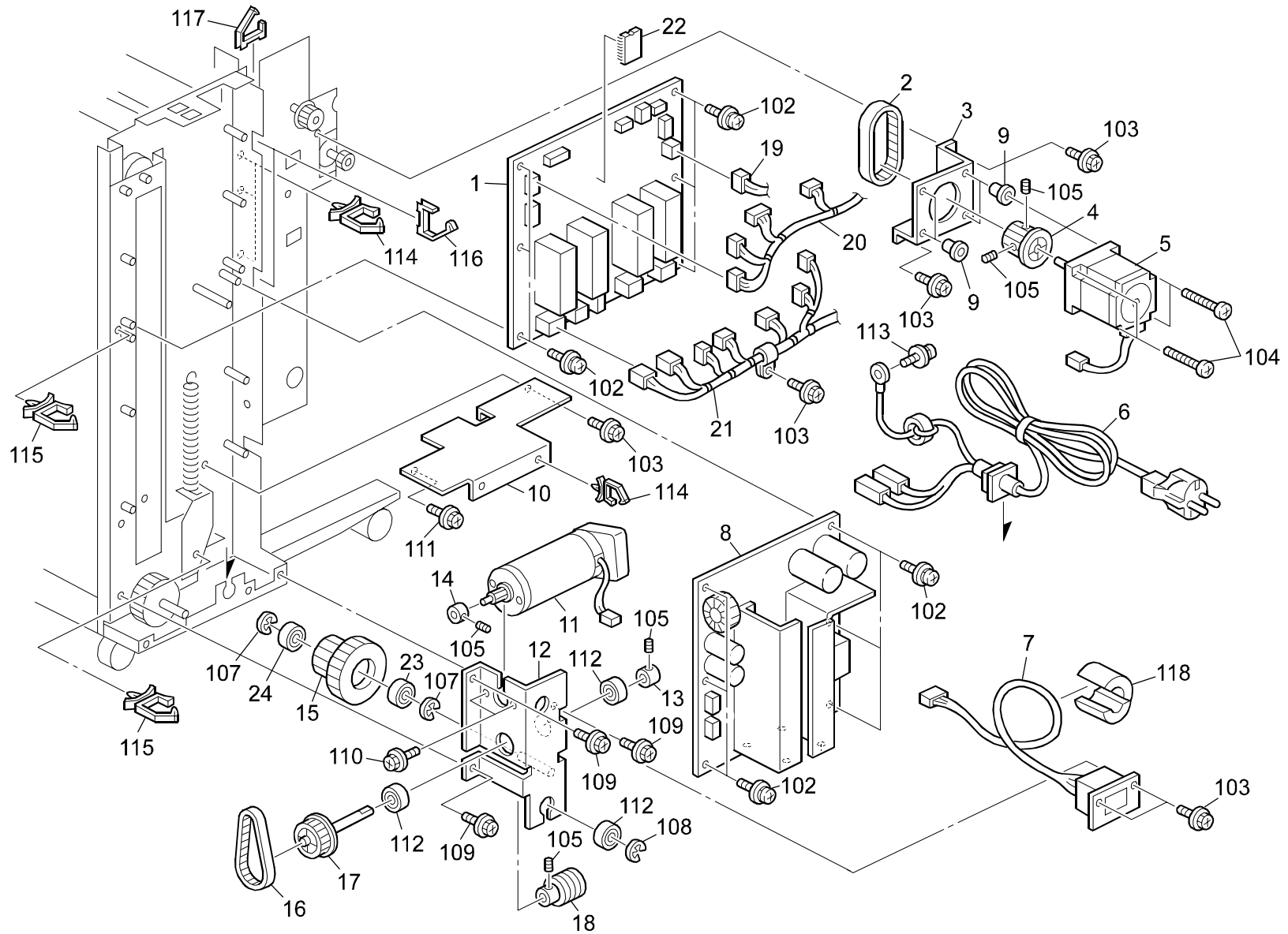


## 10.LCIT10 (C625)

Index No.	Part No.	Description	Q'ty Per Assembly
1	C217 5512	Print Pressure Spring	2
2	C563 3122	Pulley Bracket	2
3	5215 2621	Snap Ring - M6	1
4	C612 2520	Timing Belt - 300/S5M	2
5	C563 3120	Driven Pulley	6
6	C563 3124	Pulley Shaft	2
7	C625 1138	Slider Cover Plate	2
8	C625 3072	Timing Pulley Shaft	1
9	B023 4567	Input Pulley - 18t	2
10	C625 3052	Timing Belt - S3M 486	1
11	5053 0223	Bushing - 8mm	2
12	C625 3071	Side Fence Drive Bracket	2
13	C612 2511	Belt Fix Bracket	2
14	C563 3116	Belt Joint	4
15	C612 2513	Joint Fix Bracket	4
16	AW02 0075	Photointerruptor	1
17	A267 1820	Sheet - Photointerrupter	1
19	C563 3132	Flange	2
20	A380 1803	Timing Pulley - S5M 22Z	2
21	C612 3320	Sensor Feeler	1
22	C612 2610	Tension Pulley Bracket	2
23	C612 2820	Rear Pulley Bracket	1
24	C625 1172	Drive Shaft	1
25	C625 1058	Under Stay	1
26	C563 3350	Drive Gear - 45z	1
27	C625 1174	Pulley Bracket	1
28	C625 1134	Board Cover Plate	1
29	A499 1378	Stepped Screw - M4x6	1

Index No.	Part No.	Description	Q'ty Per Assembly
101	0720 0060E	Retaining Ring - M6	
102	0451 4006B	Tapping Screw - 4x6	
103	0802 5281	Tapping Screw - M4x6	
104	0451 3006B	Tapping Screw - M3x6	
105	0802 5282	Tapping Screw - M4x8	
106	0802 5281	Tapping Screw - M4x6	
107	0741 3808	Ball Bearing - 8x16x5mm	
108	0451 4008B	Philips Tapping Screw - M4x8	
109	1105 0511	Harness Clamp - LWS-0306ZC	

# 11.LCIT11 (C625)



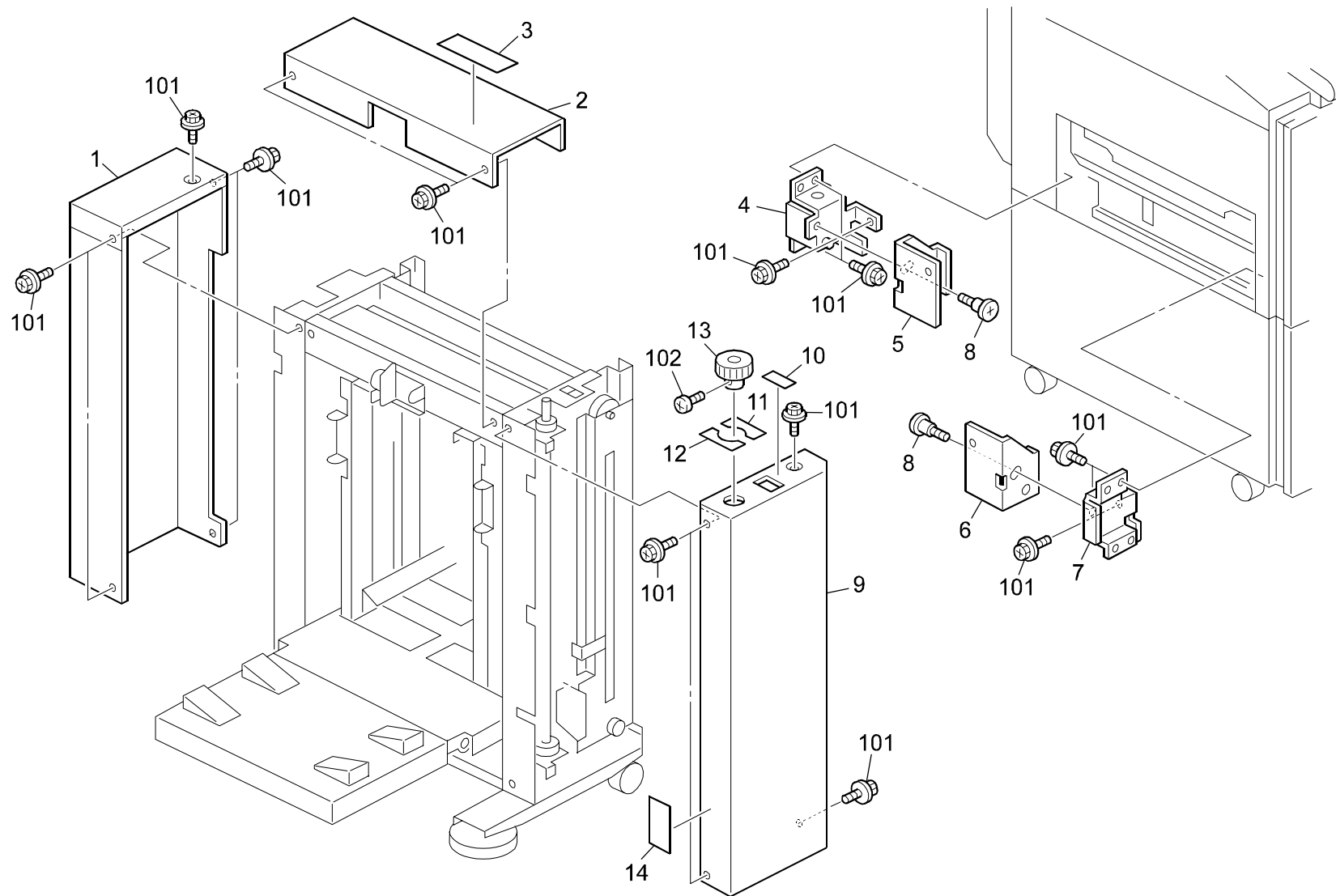


## 11.LCIT11 (C625)

Index No.	Part No.	Description	Q'ty Per Assembly
1	C625 5100	Printed Circuit Board - LCIT	1
2	C625 2860	Timing Belt - 76XL 037	1
3	C236 5731	Paper Feed Motor Bracket	1
4	C229 2946	Motor Pulley	1
5	C238 5801	Stepper Motor - DC 13.9W	1
6	C625 5280	Power Supply Cord (NA)	1
6	C625 5281	Power Supply Cord - EU	1
7	C625 5210	Power Supply Harness	1
8	C625 5300	Main DC Power - 200W	1
8	C625 5310	EU Main DC Power - 200W	1
9	C403 1899	Rubber Bushing - M4	4
10	C625 1136	Drive Cover Bracket	1
11	C625 5810	DC Motor - 27W	1
12	C625 1122	Drive Bracket	1
13	A006 2982	Spacer - M6 X 9	1
14	AB03 0216	Pulley - 15Z	1
15	C563 3350	Drive Gear - 45z	1
16	A380 1434	Timing Pulley - S2M T76	1
17	A380 1433	Timing Pulley - S2M T70	1
18	C563 3332	Worm Gear	1
19	C625 5200	Sensor Harness	1
20	C625 5206	Main Harness	1
21	C625 5203	Motor Harness	1
22	C625 5123	EPROM-LCIT	1
23	A232 3552	Ball Bearing - 8x22x7	1
24	A232 3553	Ball Bearing:8x16x5	1

Index No.	Part No.	Description	Q'ty Per Assembly
101	0720 0050Z	Retaining Ring - M5	
102	0954 3006B	Screw - M3X6	
103	0802 5281	Tapping Screw - M4x6	
104	0354 0140B	Screw - M4x14	
105	0574 0040E	Hexagon Headless Set Screw - M4x4	
107	0720 0060E	Retaining Ring - M6	
108	0720 0040E	Retaining Ring - M4	
109	0451 4008B	Philips Tapping Screw - M4x8	
110	0451 3006B	Tapping Screw - M3x6	
111	0451 4006B	Tapping Screw - 4x6	
112	0741 3006	Ball Bearing - 6x17x6mm	
113	0954 4008B	Philips Screw - M4x8	
114	1105 0516	Clamp	
115	1105 0487	Harness Clamp	
116	1105 0521	Clamp - LES-1017	
117	1105 0522	Edge Saddle - LES0510	
118	1607 0534	Ferrite Core - ZCAR3035-1330	

# 12.LCOT 1 (C625)

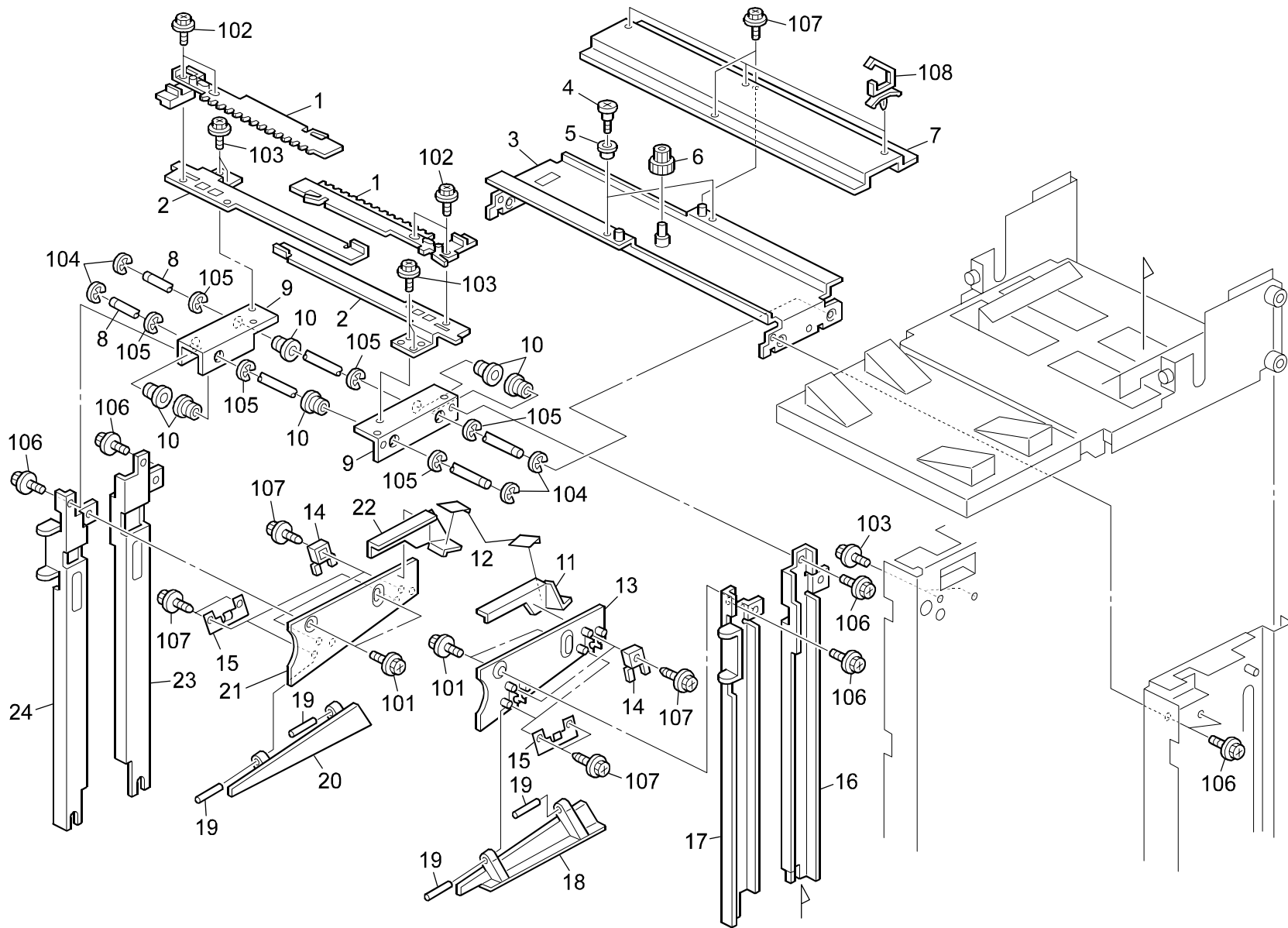


## 12.LCOT 1 (C625)

Index No.	Part No.	Description	Q'ty Per Assembly
1	C625 1307	Back Cover - OT	1
2	C625 1306	Upper Cover - OT	1
3	C625 1361	Decal - OT Operation	1
4	C239 4404	Rear Exit Bracket	1
5	C625 6162	Back Joint	1
6	C625 6160	Front Joint	1
7	C239 4401	Front Exit Bracket	1
8	C201 5125	Stepped Screw - M6	2
9	C625 1302	Front Cover - IT&OT	1
10	C625 1355	Decal-OT	1
11	C625 1353	Decal - Closeb Side Fence	1
12	C625 1352	Decal - Open Side Fence	1
13	C625 3075	Paper Size Adjust Knob	1
14	C625 1358	Decal- Caution	1

Index No.	Part No.	Description	Q'ty Per Assembly
101	0451 4008H	Tapping Screw - 4x8	
102	0354 0060N	Screw - M4x6	

# 13.LCOT 2 (C625)

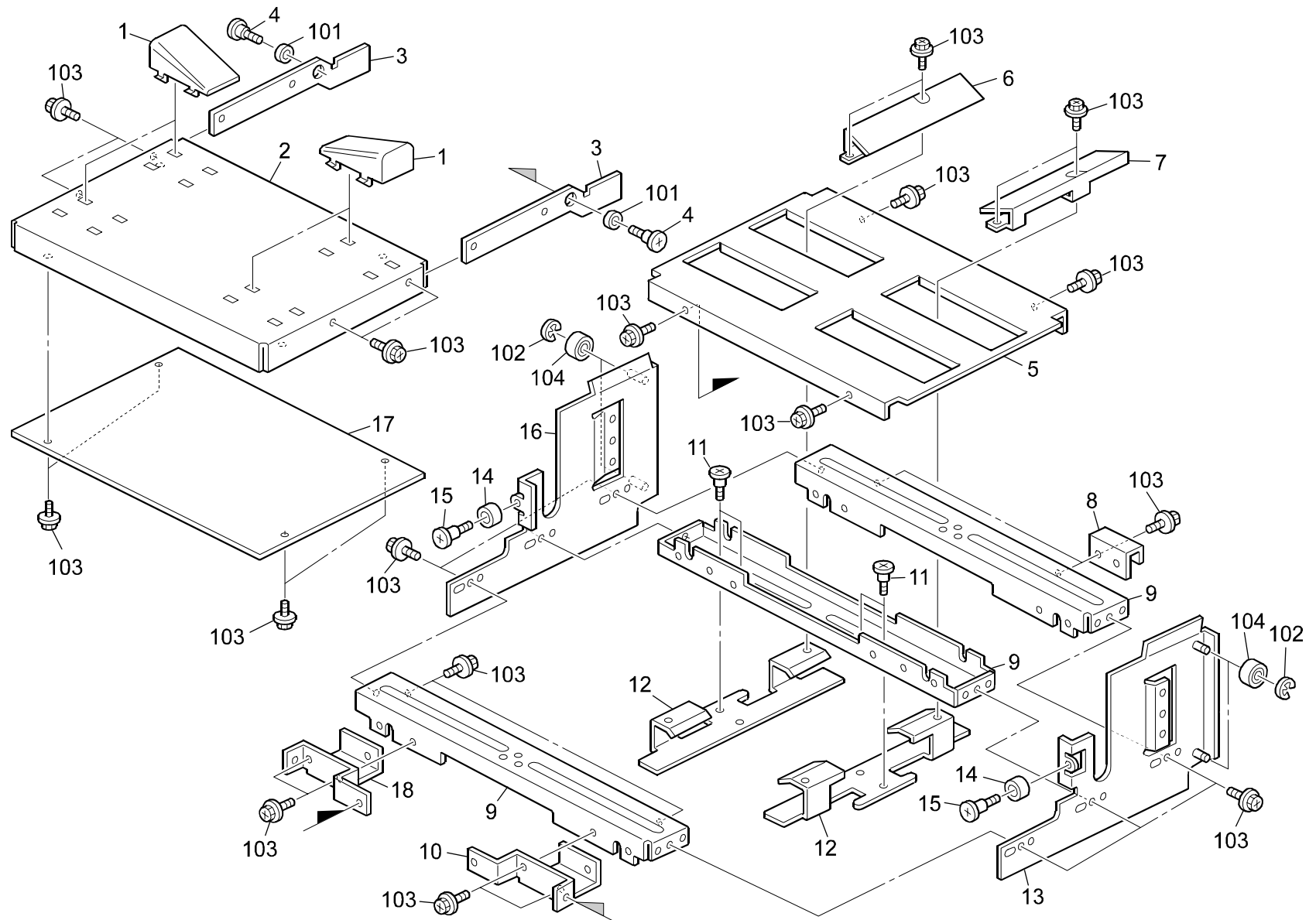


### 13.LCOT 2 (C625)

Index No.	Part No.	Description	Q'ty Per Assembly
1	C229 2781	Side Fence Rack	2
2	C625 3056	Rack Bracket	2
3	C625 3050	Side Fence Base	1
4	5419 5714	Stepped Screw - M4	2
5	AA08 0247	Bushing - B-f6-3	2
6	AB01 7213	Gear - 18/15Z	1
7	C625 3054	Side Fence Bracket	1
8	C625 3060	Side Fence Guide Shaft	2
9	C625 3058	Side Fence Guide Bracket	2
10	C625 3061	Bushing:Guide:Side Fence	6
11	C625 4390	Front Side Fence Adjust-board	1
12	C625 4391	Side Fence Guide	2
13	C625 4366	Front Guide Board Side-fence	1
14	C238 4417	Wing Stopper	2
15	C625 4370	Side Board Plate Spring	2
16	C625 4360	Right-front Long Guide Board	1
17	C625 4362	Left-front Long Guide Board	1
18	C625 4364	Front Guide Board	1
19	C227 6156	Upper Guide Shaft	4
20	C625 4382	Back Guide Board	1
21	C625 4384	Back Guide Board Side-fence	1
22	C625 4392	Back Side Fence Adjust Board	1
23	C625 4378	Right-back Long Guide Board	1
24	C625 4380	Left-back Long Guide Board	1

Index No.	Part No.	Description	Q'ty Per Assembly
101	0451 4006H	Tapping Screw - M4x6	
102	0451 3008H	Tapping Screw:M3x8	
103	0802 5282	Tapping Screw - M4x8	
104	0720 0040E	Retaining Ring - M4	
105	0720 0080E	Retaining Ring - M8	
106	0802 5281	Tapping Screw - M4x6	
107	0450 3006B	Tapping Screw - M3x6	
108	1105 0511	Harness Clamp - LWS-0306ZC	

# 14.LCOT 3 (C625)

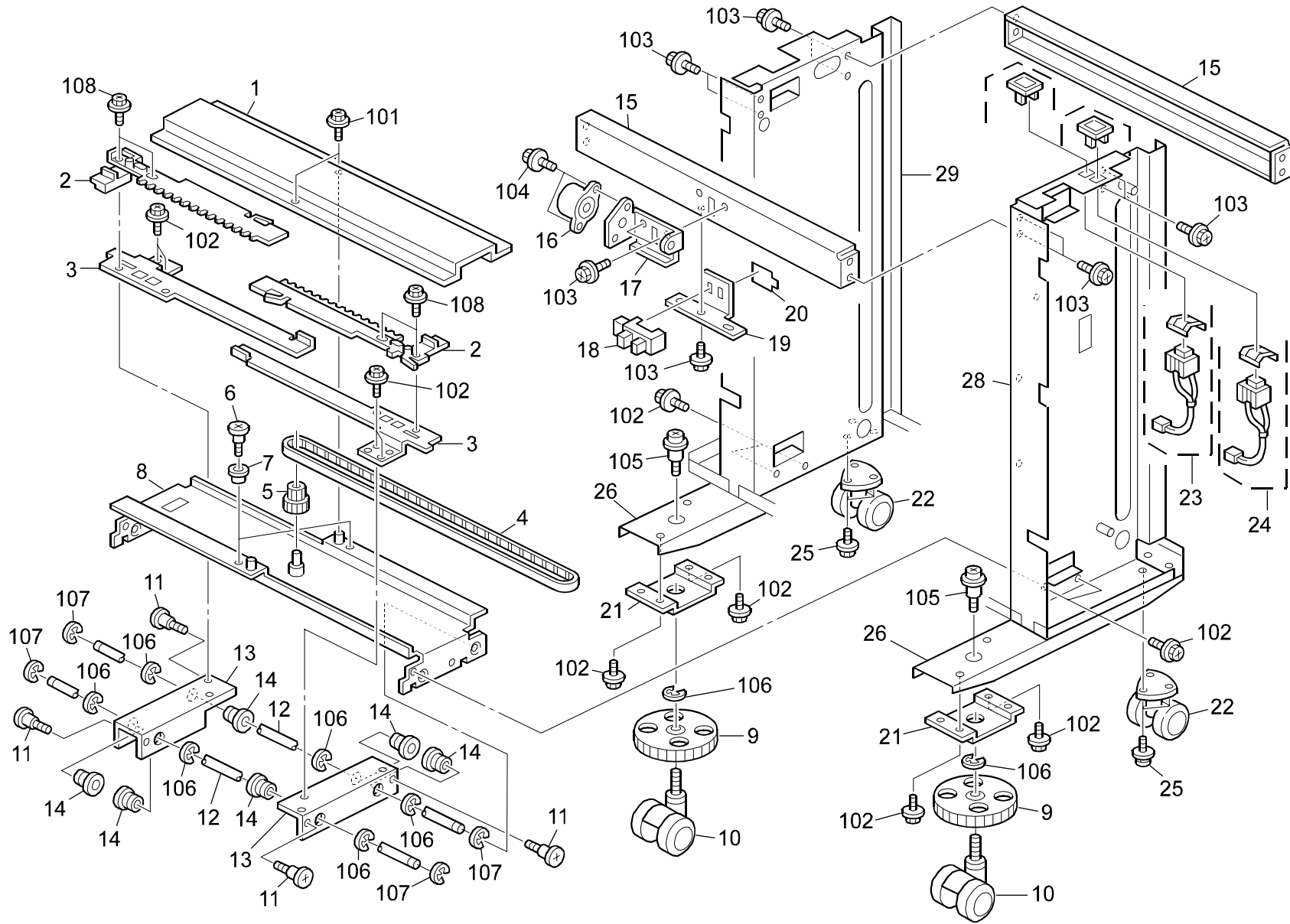


### 14.LCOT 3 (C625)

Index No.	Part No.	Description	Q'ty Per Assembly
1	C625 2158	Delivery Adjust Board	4
2	C625 2152	Upper Delivery Bottom Board	1
3	C625 2126	Tray Stay	2
4	C219 5073	Stepped Screw	2
5	C625 2150	Right Delivery Bottom Board	1
6	C625 2156	Back Delivery Adjust Board	1
7	C625 2154	Front Delivery Adjust Board	1
8	C625 2110	Feed Tray	2
9	C625 2104	Tray Stay	3
10	C625 2108	Front Tray Bracket	1
11	5442 1659	Stepped Screw - M4	4
12	C625 2106	Tray Slider	2
13	C625 2100	Front Moving Holder	1
14	A109 6342	Cleaning Blade Roller	2
15	AA14 3129	Shoulder Screw - Front Cover	2
16	C625 2102	Back Moving Holder	1
17	C625 2124	Delivery Bottom Board	1
18	C625 2109	Back Tray Bracket	1

Index No.	Part No.	Description	Q'ty Per Assembly
101	0708 0080N	Washer-dia8	
102	0720 0060E	Retaining Ring - M6	
103	0451 4008H	Tapping Screw - 4x8	
104	0805 3471	Ball Bearing:DIA8xDIA22x7	

# 15.LCOT 4 (C625)



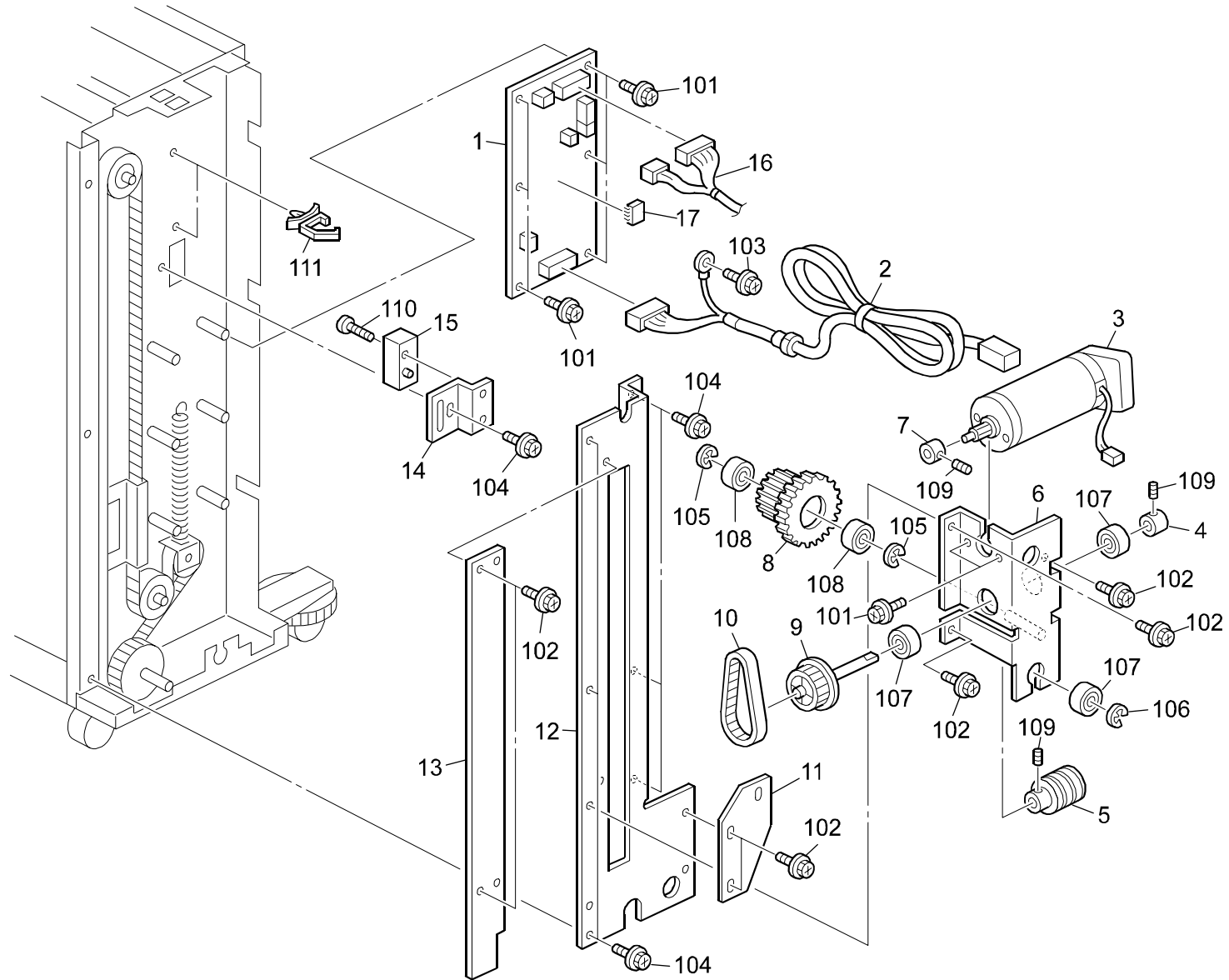


## 15.LCOT 4 (C625)

Index No.	Part No.	Description	Q'ty Per Assembly
1	C625 3054	Side Fence Bracket	1
2	C229 2781	Side Fence Rack	2
3	C625 3056	Rack Bracket	2
4	C625 3052	Timing Belt - S3M 486	1
5	AB01 7213	Gear - 18/15Z	1
6	5419 5714	Stepped Screw - M4	2
7	AA08 0247	Bushing - B-f6-3	2
8	C625 3050	Side Fence Base	1
9	C563 1114	Base Adjuster	2
10	C563 1117	Adjuster Knob	2
11	AA14 3715	Stepped Screw - M5	4
12	C625 3060	Side Fence Guide Shaft	2
13	C625 3058	Side Fence Guide Bracket	2
14	C625 3061	Bushing:Guide:Side Fence	6
15	C625 1060	Upper Stay	2
16	C625 4713	End Fence Damper 0.8n·m	1
17	C625 4714	End Fence Bracket	1
18	AW02 0075	Photointerruptor	1
19	C625 1154	End-fence Position Sensor Bracket	1
20	A267 1820	Sheet - Photointerrupter	1
21	C625 1152	Adjuster Bracket	2
22	AH01 2010	Caster - 50m	2
23	C625 5805	Push Sw	1
24	C209 8288	Table Down Switch	1
25	C625 1118	Screw - M4x12	6
26	C625 1150	Caster Stay	2
27	C625 1070	Back Side Board	1
28	C625 1052	Front Side Board	1

Index No.	Part No.	Description	Q'ty Per Assembly
101	0451 3006B	Tapping Screw - M3x6	
102	0802 5282	Tapping Screw - M4x8	
103	0451 4006B	Tapping Screw - 4x6	
104	0451 3005B	Tapping Screw - M3x5	
105	0803 0041	Screw - M4	
106	0720 0080E	Retaining Ring - M8	
107	0720 0040E	Retaining Ring - M4	
108	0451 3008H	Tapping Screw:M3x8	

# 16.LCOT 5 (C625)



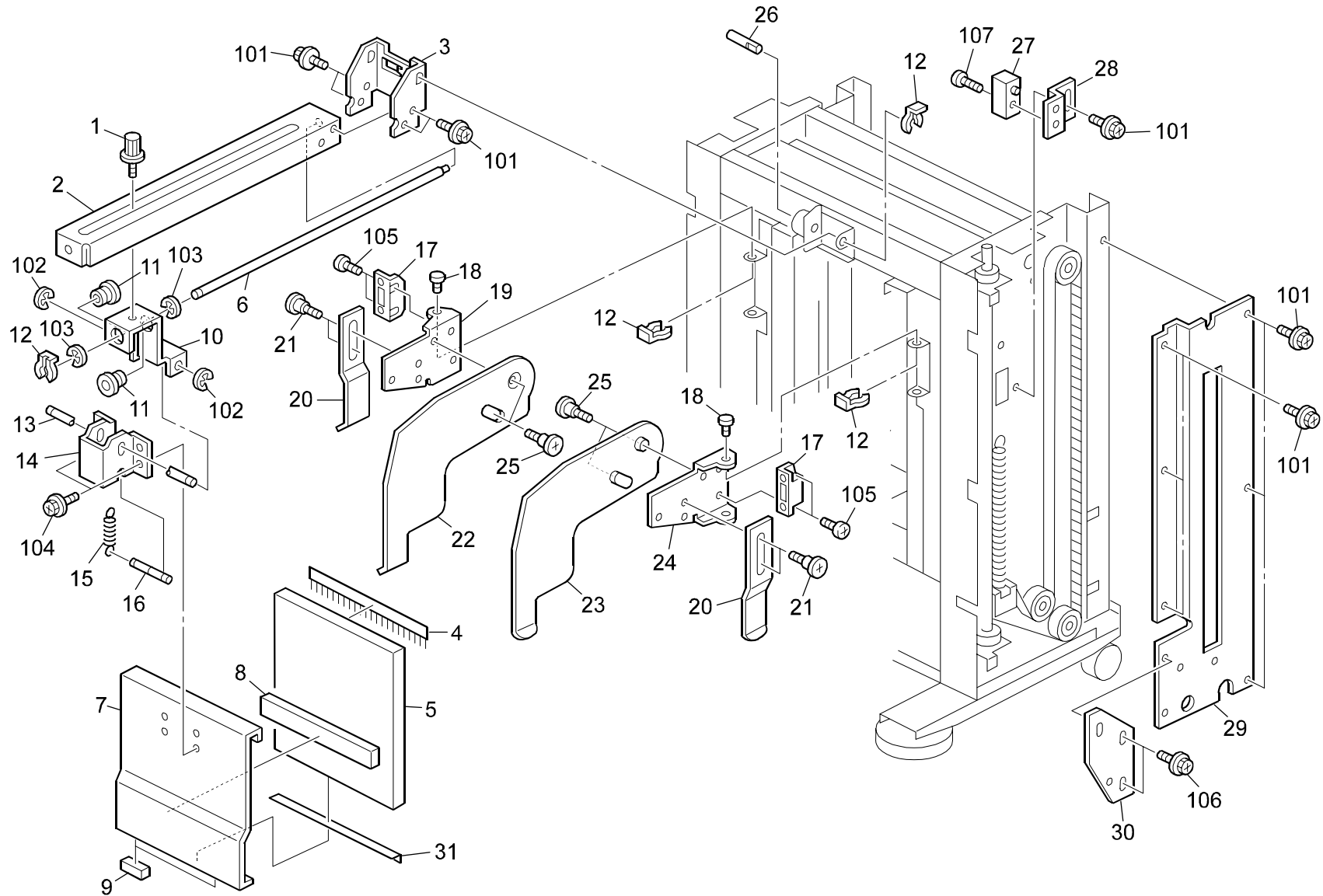
## 16.LCOT 5 (C625)



Index No.	Part No.	Description	Q'ty Per Assembly
1	C625 5101	Printed Circuit Board - LCOT	1
2	C625 5255	Interface Cable Harness	1
3	C625 5810	DC Motor - 27W	1
4	A006 2982	Spacer - M6x9	1
5	C563 3332	Worm Gear	1
6	C625 1122	Drive Bracket	1
7	AB03 0216	Pulley - 15Z	1
8	C612 2400	Worm Wheel:Gear:Z44:Z24:Ass'y	1
9	A380 1433	Timing Pulley - S2M T70	1
10	A380 1434	Timing Pulley - S2M T76	1
11	C612 2610	Tension Pulley Bracket	1
12	C612 2810	Front Pulley Bracket	1
13	C625 1134	Board Cover Plate	1
14	C625 2075	Light Sensor Bracket	1
15	AW02 0026	Upper Bin/Jam Sensor	1
16	C625 5253	Main Harness	1
17	C625 5125	EPROM-LCOT	1
18	A232 3552	Ball Bearing - 8x22x7	1

Index No.	Part No.	Description	Q'ty Per Assembly
101	0451 3006B	Tapping Screw - M3x6	
102	0451 4006B	Tapping Screw - 4x6	
103	0451 4008B	Philips Tapping Screw - M4x8	
104	0802 5281	Tapping Screw - M4x6	
105	0720 0060E	Retaining Ring - M6	
106	0720 0040E	Retaining Ring - M4	
107	0741 3006	Ball Bearing - 6x17x6mm	
108	1105 0511	Harness Clamp - LWS-0306ZC	
109	0574 0040E	Hexagon Headless Set Screw - M4x4	
110	0353 0160Z	Philips Pan Head Screw - M3x16	

# 17.LCOT 6 (C625)

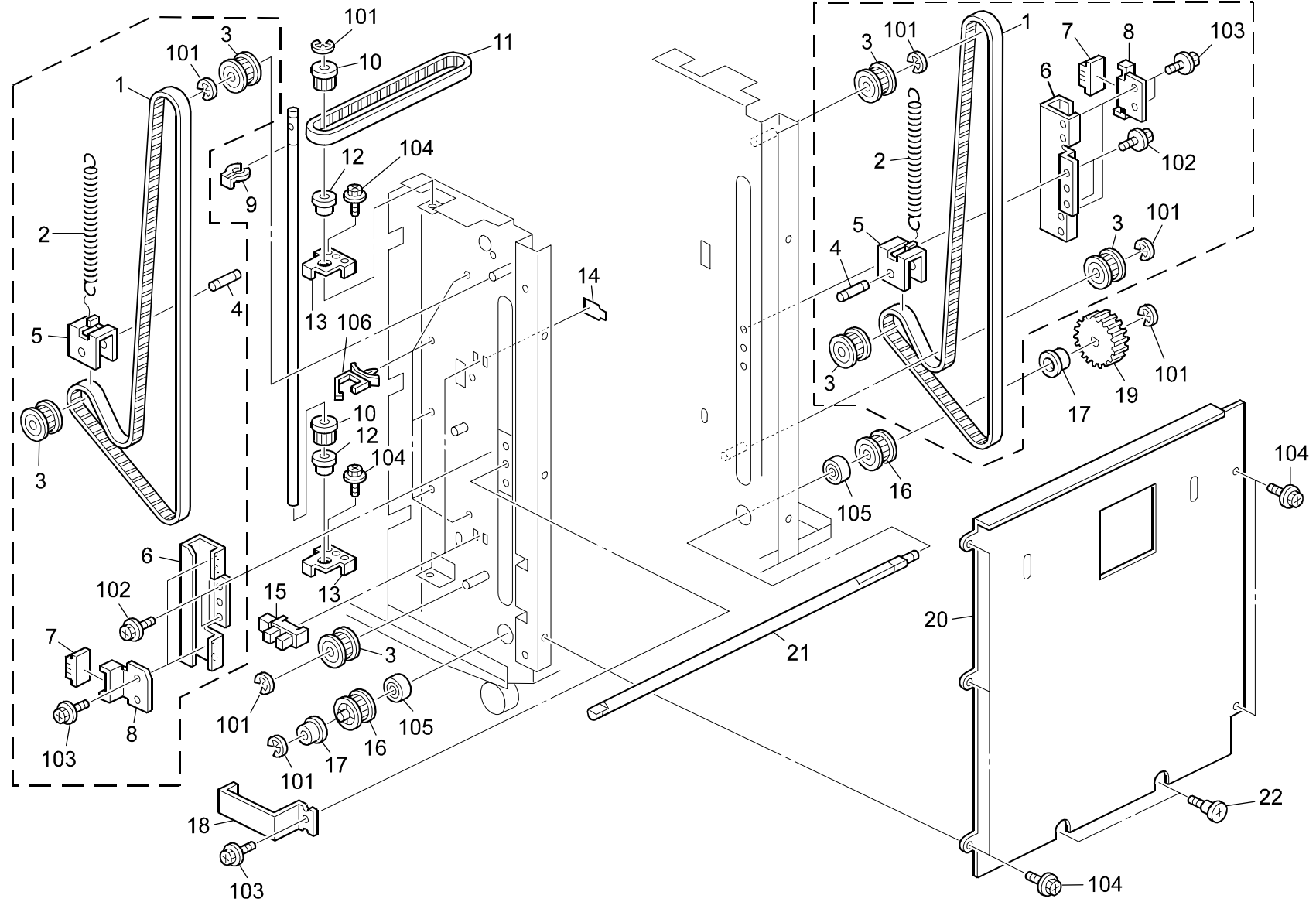


## 17.LCOT 6 (C625)

Index No.	Part No.	Description	Q'ty Per Assembly
1	A411 1456	Knob Screw	1
2	C625 4702	End Fence Side Bracket	1
3	C625 4700	End Fence Rotate Bracket	1
4	C233 4430	Antistatic Brush	1
5	C625 4802	End Fence Cushion	1
6	C625 4704	End Fence Side Shaft	1
7	C625 4800	End Fence Plate	1
8	C625 4812	Middle End Fence Cushion	1
9	C625 4810	Under End Fence Cushion	2
10	C625 4706	End Fence Bracket	1
11	C625 3061	Bushing:Guide:Side Fence	2
12	5447 2681	Snap Ring	2
13	C625 4720	Upper End Fence Pin - M4*34.8mm	1
14	C625 4708	End Fence Hinge Bracket	1
15	C231 4413	Delivery Table Spring	1
16	C625 4722	Bottom End Fence Shaft	1
17	5054 0536	Magnet Catch Ass'y	2
18	C625 4004	Side Fence Shaft	2
19	C625 4442	Back Side Fence Bracket	1
20	C625 4006	Side Fence Guide Board	2
21	AA14 3358	Stepped Screw - M4x3	4
22	C625 4440	Left Back Side Fence	1
23	C625 4400	Left Side Fence	1
24	C625 4402	Front Side Fence Bracket	1
25	C217 4426	Shoulder Screw	4
26	C625 4710	End Fence Shaft	1
27	AW02 0025	Lower Bin/Jam Sensor	1
28	C625 2075	Light Sensor Bracket	1
29	C612 2820	Rear Pulley Bracket	1
30	C612 2610	Tension Pulley Bracket	1
31	C625 4808	End Fence Guide	1

Index No.	Part No.	Description	Q'ty Per Assembly
101	0802 5281	Tapping Screw - M4x6	
102	0720 0030E	Retaining Ring - M3	
103	0720 0080E	Retaining Ring - M8	
104	0451 3006B	Tapping Screw - M3x6	
105	0314 0050N	Pan Head Screw-m4x5	
106	0451 4006B	Tapping Screw - 4x6	
107	0353 0100N	Screw - M3x10	

# 18.LCOT 7 (C625)



### 18.LCOT 7 (C625)

Index No.	Part No.	Description	Q'ty Per Assembly
1	C612 2520	Timing Belt - 300/S5M	2
2	C217 5512	Print Pressure Spring	2
3	C563 3120	Driven Pulley	6
4	C563 3124	Pulley Shaft	2
5	C563 3122	Pulley Bracket	2
6	C612 2511	Belt Fix Bracket	2
7	C563 3116	Belt Joint	4
8	C612 2513	Joint Fix Bracket	4
9	5215 2621	Snap Ring - M6	1
10	B023 4567	Input Pulley - 18t	2
11	C625 3052	Timing Belt - S3M 486	1
12	5053 0223	Bushing - 8mm	2
13	C625 3071	Side Fence Drive Bracket	2
14	A267 1820	Sheet - Photointerrupter	2
15	AW02 0075	Photointerruptor	2
16	A380 1803	Timing Pulley - S5M 22Z	2
17	C563 3132	Flange	2
18	C612 3320	Sensor Feeler	1
19	C563 3350	Drive Gear - 45z	1
20	C625 1074	Back Board	1
21	C625 1172	Drive Shaft	1
22	A499 1378	Stepped Screw - M4x6	2

Index No.	Part No.	Description	Q'ty Per Assembly
101	0720 0060E	Retaining Ring - M6	
102	0802 5282	Tapping Screw - M4x8	
103	0451 3006B	Tapping Screw - M3x6	
104	0451 4006B	Tapping Screw - 4x6	
105	0741 3808	Ball Bearing - 8x16x5mm	
106	1105 0511	Harness Clamp - LWS-0306ZC	



## 19.LCIT BOARD (C625)

### CAPACITOR

SYMBOL NO.	INDEX NO.	SYMBOL NO.	INDEX NO.	SYMBOL NO.	INDEX NO.	SYMBOL NO.	INDEX NO.	SYMBOL NO.	INDEX NO.	SYMBOL NO.	INDEX NO.	SYMBOL NO.	INDEX NO.
---	---	C101	166	C111	164	C121	164	C131	165	C141	165	C151	165
---	---	C102	144	C112	138	C122	164	C132	138	C142	165	C152	164
---	---	C103	164	C113	166	C123	165	C133	166	C143	164	C153	164
---	---	C104	164	C114	144	C124	164	C134	144	C144	164	C154	164
---	---	C105	165	C115	163	C125	165	C135	165	C145	166	C155	164
---	---	C106	165	C116	163	C126	141	C136	164	C146	144	C156	164
---	---	C107	164	C117	165	C127	166	C137	164	C147	165	C157	164
---	---	C108	164	C118	165	C128	164	C138	164	C148	138	C158	164
---	---	C109	164	C119	164	C129	164	C139	165	C149	164	C159	164
C100	138	C110	164	C120	164	C130	165	C140	164	C150	164	C160	137

### CAPACITOR

SYMBOL NO.	INDEX NO.	SYMBOL NO.	INDEX NO.	SYMBOL NO.	INDEX NO.	SYMBOL NO.	INDEX NO.	SYMBOL NO.	INDEX NO.	SYMBOL NO.	INDEX NO.	SYMBOL NO.	INDEX NO.
C161	138	C171	164	C181	165	C191	165	C201	139	CN101	113	CN111	109
C162	145	C172	164	C182	165	C192	165	C202	139	CN102	114	CN112	108
C163	145	C173	164	C183	162	C193	139	C203	139	CN103	112	CN113	104
C164	164	C174	164	C184	162	C194	139	C204	139	CN104	111	CN114	105
C165	166	C175	164	C185	164	C195	139	C205	139	CN105	110	CN115	102
C166	165	C176	164	C186	164	C196	139	C206	139	CN106	107	CN116	101
C167	165	C177	164	C187	165	C197	139	C207	139	CN107	107		
C168	164	C178	165	C188	165	C198	139	C208	139	CN108	107		
C169	164	C179	140	C189	165	C199	139			CN109	106		
C170	165	C180	164	C190	164	C200	139			CN110	103		

### CONNECTOR



## 19.LCIT BOARD (C625)

### DIODE

SYMBOL NO.	INDEX NO.
D100	124
D101	124
D102	124
D103	124

### FIB

SYMBOL NO.	INDEX NO.
FIB100	136
FIB101	136
FIB102	136
FIB103	136

### FUSE

SYMBOL NO.	INDEX NO.
FU100	115
FU100	117
FU101	115

### IC

SYMBOL NO.	INDEX NO.
IC100	134
IC101	126
IC102	126
IC103	134
IC104	1
IC104	116
IC105	127
IC106	128
IC107	132
IC108	134

SYMBOL NO.	INDEX NO.
IC109	131
IC110	128
IC111	134
IC112	129
IC113	130
IC114	128
IC115	133
IC116	133

### LED

SYMBOL NO.	INDEX NO.
LED100	125
LED101	125
LED102	125
LED103	125

### OSC

SYMBOL NO.	INDEX NO.
OSC100	135

### Q

SYMBOL NO.	INDEX NO.
Q100	119
Q101	119
Q102	121
Q103	121
Q104	122
Q105	122
Q106	120
Q107	120
Q108	120
Q109	120

SYMBOL NO.	INDEX NO.
Q110	119
Q111	119
Q112	119

### RESISTOR

SYMBOL NO.	INDEX NO.
---	---
---	---
---	---
---	---
---	---
---	---
---	---
---	---
---	---
---	---
R100	152

SYMBOL NO.	INDEX NO.
R101	157
R102	160
R103	161
R104	152
R105	152
R106	152
R107	152
R108	152
R109	152
R110	152

SYMBOL NO.	INDEX NO.
R111	152
R112	152
R113	152
R114	152
R115	152
R116	156
R117	156
R118	149
R119	149
R120	156

SYMBOL NO.	INDEX NO.
R121	156
R122	152
R123	152
R124	157
R125	160
R126	161
R127	155
R128	155
R129	152
R130	152

SYMBOL NO.	INDEX NO.
R131	155
R132	155
R133	152
R134	155
R135	155
R136	152
R137	148
R138	148
R139	155
R140	155

SYMBOL NO.	INDEX NO.
R141	148
R142	148
R143	155
R144	155
R145	147
R146	147
R147	154
R148	150
R149	150
R150	152

SYMBOL NO.	INDEX NO.
R151	147
R152	147
R153	152
R154	157
R155	160
R156	161
R157	152
R158	159
R159	158
R160	152

## 19.LCIT BOARD (C625)

### RESISTOR

SYMBOL NO.	INDEX NO.
R161	152
R162	157
R163	160
R164	161
R165	146
R166	152
R167	152
R168	152
R169	152
R170	152

SYMBOL NO.	INDEX NO.
R171	152
R172	152
R173	152
R174	152
R175	152
R176	152
R177	152
R178	152
R179	152
R180	152

SYMBOL NO.	INDEX NO.
R181	152
R182	152
R183	152
R184	152
R185	152
R186	152
R187	152
R188	152
R189	155
R190	155

SYMBOL NO.	INDEX NO.
R191	143
R192	155
R193	153
R194	155
R195	155
R196	155
R197	155
R198	155
R199	155
R200	155

SYMBOL NO.	INDEX NO.
R201	155
R202	155
R203	155
R204	155
R205	155
R206	155
R207	151
R208	152
R209	152
R210	152

SYMBOL NO.	INDEX NO.
R211	152
R212	152
R213	152
R214	152

### SW

SYMBOL NO.	INDEX NO.
SW100	118

### ZD

SYMBOL NO.	INDEX NO.
ZD100	123
ZD101	123
ZD102	123
ZD103	123

## 19.LCIT BOARD (C625)

Index No.	Part No.	Description	Q'ty Per Assembly
*	C625 5100	Printed Circuit Board - LCIT	1
1	C625 5123	EPROM-LCIT	1

Index No.	Part No.	Description	Q'ty Per Assembly
101	1102 4201	Connector - 2P	
102	1102 4202	Connector - 3P	
103	1102 4203	CT Header - 4P	
104	1102 4205	CT Header - 6P	
105	1102 4209	CT Header - 10P	
106	1102 4683	Connector - 5566-02A-210	
107	1102 4684	Connector - 5566-06R-210	
108	1102 5007	CT Header - 14P	
109	1102 5718	Optical Fiber Connector	
110	1102 7583	Connector	
111	1102 9109	Connector - 353297-4	
112	1102 9121	Connector:2-353308-4	
113	1102 9669	1102-connector-2p	
114	1102 9670	1102-connector-3p	
115	1104 0337	Fuse Holder	
116	1104 0588	DIP Socket - 28p	
117	1107 0392	Fuse - 6.3A 125V	
118	1204 1422	DIP Switch - 51D-0401	
119	1400 0688	Transistor -DTC143ZUA	
120	1400 0810	Transistor:DTC114EUA	
121	1401 0980	Fet-2SJ220S	
122	1401 1186	Fet-2SK3150(S)	
123	1402 1332	Zenor Diode:UDZ10B	
124	1402 1554	Diode-RB160I-60	
125	1403 0996	LED - SML-310VT	
126	1407 2187	TTLIC - SN74LS07NS	
127	1407 5162	IC - HD6412350F20	
128	1407 5353	IC - SN74LV244APW	
129	1407 5387	IC - SN74LV04ANS	
130	1407 5388	IC - SN74LV08ANS	
131	1407 5415	IC - SN74LV32ANS	
132	1408 0575	IC - M51957BFP	
133	1408 0826	IC - TA8428K	
134	1408 1410	IC - STK672-120	
135	1503 0993	Crystal Oscilator- 14.7456mhz	

Index No.	Part No.	Description	Q'ty Per Assembly
136	1602 0987	Capacitor & Coil - 270pF 100V	
137	1604 4728	Capacitor - 100 $\mu$ F $\pm$ 20% 16V	
138	1604 5066	Capacitor 100uf: $\pm$ 20%:50v	
139	1605 0987	Ceramic Capacitor-470pF/630V	
140	1605 1148	Capacitor - 0.1 $\mu$ F+80-20% 50V	
141	1605 1160	Capacitor:0.22uf:+80-20%:16v	
142	1605 1221	Capacitor - 0.1 UF+80-20%16V	
143	1633 0000	Resistor - 0 $\Omega$ 1/10W	
144	1644 1100	Capacitor - 10 $\mu$ F $\pm$ 20% 16V	
145	1644 5100	Capacitor - 10 $\mu$ F $\pm$ 20% 50V	
146	1650 2121	Resistor:120 $\Omega$ : $\pm$ 5%:1/4w:3216	
147	1650 2472	Chip Resistor-4.7k	
148	1650 3101	Resistor - 100 $\Omega$ $\pm$ 5%1/8W	
149	1650 3221	Resistor - 220 $\Omega$ $\pm$ 5%1/8W	
150	1650 3512	Chip Resistor-5.1k	
151	1650 4100	Resistor - 10 $\Omega$ $\pm$ 5% 1/10W	
152	1650 4103	Resistor - 10K $\Omega$ $\pm$ 5% 1/10W	
153	1650 4105	Resistor - 1M $\Omega$ $\pm$ 5% 1/10W	
154	1650 4222	Resistor - 2.2K $\Omega$ $\pm$ 5%1/10W	
155	1650 4330	Chip Resistor - 33 $\Omega$ $\pm$ 5% 1/10w	
156	1650 4821	Chip Resistor - 820 $\Omega$ $\pm$ 5% 1/10w	
157	1654 1001	Resistor - 1K $\Omega$ $\pm$ 1%1/10W	
158	1654 1002	Resistor - 10K $\Omega$ $\pm$ 5%1/10W	
159	1654 3741	Chip Resistor:3.74k $\Omega$	
160	1654 6802	Chip Resistor-68k	
161	1654 7501	Resistor - 7.5K $\Omega$ $\pm$ 1%1/10W-1608	
162	1660 0100	Capacitor - 10PF $\pm$ 0.5pF 50V	
163	1660 2220	Capacitor - 22pF $\pm$ 20% 35V	
164	1660 2471	Capacitor - 470pF - $\pm$ 5% - 50V	
165	1660 4103	Capacitor - 10000pF - $\pm$ 10% - 50V	
166	1660 8104	Capacitor - 0.1 $\mu$ F+80-20% 25V	

Index No.	Part No.	Description	Q'ty Per Assembly

## 20.LCOT BOARD (C625)

### CAPACITOR

SYMBOL NO.	INDEX NO.
---	---
---	---
---	---
---	---
---	---
---	---
---	---
---	---
---	---
C305	130
C300	131

SYMBOL NO.	INDEX NO.
C301	153
C302	133
C303	151
C304	152
C305	135
C306	152
C307	151
C308	151
C309	151
C310	152

SYMBOL NO.	INDEX NO.
C311	151
C312	152
C313	152
C314	151
C315	151
C316	151
C317	153
C318	151
C319	152
C320	151

SYMBOL NO.	INDEX NO.
C321	151
C322	151
C323	152
C324	151
---	---
C326	151
---	---
C328	150
C329	151
C330	151

SYMBOL NO.	INDEX NO.
C331	150
C332	152
C333	132
C334	151
C335	151
C336	152
C337	151
C338	151
C339	151
C340	151

SYMBOL NO.	INDEX NO.
C341	152
C342	151
C343	152
---	---
---	---
---	---
---	---
C999	134
C999	134

### CONNECTOR

SYMBOL NO.	INDEX NO.
CN201	108
CN202	103
CN203	105
CN204	107
CN205	104
CN206	102
CN207	101

### DIODE

SYMBOL NO.	INDEX NO.
D300	120
D301	120
D302	120
D303	120
D304	119
D305	119
D306	119
D307	119

### FUSE

SYMBOL NO.	INDEX NO.
FU300	109
FU301	113
FU301	111
FU302	113

### IC

SYMBOL NO.	INDEX NO.
IC300	128
IC301	122
IC302	110
IC302	1
IC303	123
IC304	126
IC305	125
IC306	127
IC307	124
---	---

SYMBOL NO.	INDEX NO.
IC999	154

### LED

SYMBOL NO.	INDEX NO.
LED300	121
LED301	121
LED302	121
LED303	121

### OSC

SYMBOL NO.	INDEX NO.
OSC300	129

### Q

SYMBOL NO.	INDEX NO.
Q300	114
Q301	115
Q302	115
Q303	116
Q304	116
Q305	114
Q306	114
Q307	114
Q308	114

## 20.LCOT BOARD (C625)

### RESISTOR

SYMBOL NO.	INDEX NO.	SYMBOL NO.	INDEX NO.	SYMBOL NO.	INDEX NO.	SYMBOL NO.	INDEX NO.	SYMBOL NO.	INDEX NO.	SYMBOL NO.	INDEX NO.	SYMBOL NO.	INDEX NO.
---	---	R301	142	R311	145	R321	138	R331	137	R341	142	R351	145
---	---	R302	149	R312	142	R322	142	R332	139	R342	142	R352	141
---	---	R303	142	R313	145	R323	142	R333	139	R343	142	R353	146
---	---	R304	145	R314	142	R324	145	R334	142	R344	142	R354	142
---	---	R305	142	R315	142	R325	142	R335	142	R345	145	R355	142
---	---	R306	145	R316	142	R326	142	R336	145	R346	145	R356	142
---	---	R307	142	R317	145	R327	145	R337	142	R347	142	R357	142
---	---	R308	142	R318	138	R328	137	R338	142	R348	142	R358	142
---	---	R309	145	R319	138	R329	137	R339	145	R349	142	R359	142
R300	148	R310	145	R320	138	R330	137	R340	145	R350	142	R360	145

### RESISTOR

SYMBOL NO.	INDEX NO.	SYMBOL NO.	INDEX NO.
R361	142	R371	145
R362	142	R372	145
R363	145	R373	143
R364	142	R374	145
R365	145	R375	142
R366	142	R376	145
R367	145	R377	145
R368	145	R378	145
R369	142	R379	142
R370	136	R380	142

SYMBOL NO.	INDEX NO.
R381	140
R382	147
R383	147
R384	144
R385	147
R386	147

### SW

SYMBOL NO.	INDEX NO.
SW300	112

### ZD

SYMBOL NO.	INDEX NO.
ZD300	118
ZD301	118
ZD302	118
ZD303	118

## 20.LCOT BOARD (C625)

Index No.	Part No.	Description	Q'ty Per Assembly
*	C625 5101	Printed Circuit Board - LCOT	1
1	C625 5125	EPROM-ICOT	1

Index No.	Part No.	Description	Q'ty Per Assembly
101	1102 4202	Connector - 3P	
102	1102 4204	CT Header - 5P	
103	1102 4207	Connector - 8P	
104	1102 4497	Connector - 13P	
105	1102 4683	Connector - 5566-02A-210	
106	1102 5301	Connector - 2P	
107	1102 9109	Connector - 353297-4	
108	1102 9672	1102-connector-6p	
109	1104 0337	Fuse Holder	
110	1104 0588	DIP Socket - 28p	
111	1107 1067	FUSE:ET-6.3A	
112	1204 1422	DIP Switch - 51D-0401	
113	1204 2194	Fuse Holder	
114	1400 0810	Transistor:DTC114EUA	
115	1401 0980	Fet-2SJ220S	
116	1401 1186	Fet-2SK3150(S)	
117	1401 1224	Fet-2SK2938(S)	
118	1402 1332	Zenor Diode:UDZ10b	
119	1402 1365	Diode-RB751V-40	
120	1402 1554	Diode-rb160I-60	
121	1403 0996	LED - SML-310VT	
122	1407 2187	TTLIC - SN74LS07NS	
123	1407 5162	IC - HD6412350F20	
124	1407 5353	IC - SN74LV244APW	
125	1407 5387	IC - SN74LV04ANS	
126	1407 5388	IC - SN74LV08ANS	
127	1407 5415	IC - SN74LV32ANS	
128	1408 0575	IC - M51957BFP	
129	1503 0993	Crystal Oscilator- 14.7456Mhz	
130	1604 4728	Capacitor - 100 $\mu$ F $\pm$ 20% 16V	
131	1604 5066	Capacitor 100uf: $\pm$ 20%:50V	
132	1605 1148	Capacitor - 0.1 $\mu$ F+80-20% 50V	
133	1605 1160	Capacitor:0.22uf:+80-20%:16V	
134	1605 1204	Capacitor-pF50V	
135	1605 1221	Capacitor - 0.1 UF+80-20%16V	

Index No.	Part No.	Description	Q'ty Per Assembly
136	1633 0000	Resistor - 0 $\Omega$ 1/10W	
137	1650 2472	Chip Resistor-4.7k	
138	1650 3101	Resistor - 100 $\Omega$ $\pm$ 5%1/8W	
139	1650 3512	Chip Resistor-5.1k	
140	1650 4100	Resistor - 10 $\Omega$ $\pm$ 5% 1/10W	
141	1650 4102	Resistor - 1K $\Omega$ $\pm$ 5% 1/10W	
142	1650 4103	Resistor - 10K $\Omega$ $\pm$ 5% 1/10W	
143	1650 4105	Resistor - 1M $\Omega$ $\pm$ 5% 1/10W	
144	1650 4222	Resistor - 2.2K $\Omega$ $\pm$ 5%1/10W	
145	1650 4330	Chip Resistor - 33 $\Omega$ $\pm$ 5% 1/10W	
146	1650 4332	Resistor - 3.3K $\Omega$ $\pm$ 5%1/10W	
147	1650 4821	Chip Resistor - 820 $\Omega$ $\pm$ 5% 1/10W	
148	1654 1002	Resistor - 10K $\Omega$ $\pm$ 5%1/10W	
149	1654 3741	Chip Resistor:3.74k $\Omega$	
150	1660 0100	Capacitor - 10PF $\pm$ 0.5pF 50V	
151	1660 2471	Capacitor - 470pF - $\pm$ 5% - 50V	
152	1660 4103	Capacitor - 10000pF - $\pm$ 10% - 50V	
153	1660 8104	Capacitor - 0.1 $\mu$ F+80-20% 25V	
154	1905 0045	UVEPROM-512k-100NS	

Index No.	Part No.	Description	Q'ty Per Assembly



# Parts Index

## PM Parts Index

Section Name	Part No.	Description in Service Manual	Description in Parts Catalog	Q'ty Per Assembly	Page and Index No.
LCIT 2 (C625)	C625 3244	Feed Roller	Feed Roller	5	5- 2
LCIT 3 (C625)	C625 3175	Brake Guide	Brake Guide	1	7- 13
LCIT 6 (C625)	C238 2845	Separation Pad	Separation Pad	1	13- 13
LCIT 7 (C625)	C238 2835	Paper Feed Roller	Paper Feed Roller	2	15- 22

## Parts Index

Part No.	Description	Page and Index No.
C625 1052	Front Side Board	11 - 9
C625 1052	Front Side Board	31 - 28
C625 1054	Behind Side Board	11 - 2
C625 1058	Under Stay	21 - 25
C625 1060	Upper Stay	11 - 4
C625 1060	Upper Stay	31 - 15
C625 1070	Back Side Board	31 - 27
C625 1074	Back Board	37 - 20
C625 1116	Caster Stay	13 - 21
C625 1116	Caster Stay	13 - 20
C625 1118	Screw-m4*12	13 - 23
C625 1118	Screw - M4x12	31 - 25
C625 1120	Base Flame	11 - 19
C625 1122	Drive Bracket	33 - 6
C625 1122	Drive Bracket	23 - 12
C625 1134	Board Cover Plate	21 - 28
C625 1134	Board Cover Plate	33 - 13
C625 1136	Drive Cover Bracket	23 - 10
C625 1138	Slider Cover Plate	21 - 7
C625 1150	Caster Stay	31 - 26
C625 1152	Adjuster Bracket	31 - 21
C625 1154	End-fence Position Sensor Bracket	31 - 19
C625 1172	Drive Shaft	21 - 24
C625 1172	Drive Shaft	37 - 21
C625 1174	Pulley Bracket	21 - 27
C625 1301	Upper Cover - IT	3 - 5
C625 1302	Front Cover - IT&OT	3 - 10
C625 1302	Front Cover - IT&OT	25 - 9
C625 1303	Front Cover - Feed Unit	3 - 11
C625 1304	Back Cover - IT	3 - 1
C625 1305	Back Cover - Feed Unit	3 - 13
C625 1306	Upper Cover - OT	25 - 2
C625 1307	Back Cover - OT	25 - 1
C625 1351	Decal - Main SW	3 - 12
C625 1352	Decal - Open Side Fence	3 - 9

Part No.	Description	Page and Index No.
C625 1352	Decal - Open Side Fence	25 - 12
C625 1353	Decal - Closeb Side Fence	3 - 8
C625 1353	Decal - Closeb Side Fence	25 - 11
C625 1354	Decal - IT Paper Feed	3 - 7
C625 1355	Decal-OT	25 - 10
C625 1356	Decal - LED	3 - 4
C625 1357	Decal - Feed Pressure	15 - 17
C625 1358	Decal- Caution	3 - 2
C625 1358	Decal- Caution	25 - 14
C625 1359	Decal - Operation	3 - 3
C625 1360	Decal - Intermediate Caution	7 - 3
C625 1361	Decal - OT Operation	25 - 3
C625 2075	Light Sensor Bracket	33 - 14
C625 2075	Light Sensor Bracket	35 - 28
C625 2100	Front Moving Holder	29 - 13
C625 2101	Front Move Holder	17 - 14
C625 2102	Back Moving Holder	29 - 16
C625 2103	Rear Move Holder	17 - 23
C625 2104	Tray Stay	29 - 9
C625 2104	Tray Stay	17 - 21
C625 2104	Tray Stay	17 - 10
C625 2104	Tray Stay	17 - 19
C625 2106	Tray Slider	17 - 20
C625 2106	Tray Slider	29 - 12
C625 2108	Front Tray Bracket	17 - 9
C625 2108	Front Tray Bracket	29 - 10
C625 2109	Back Tray Bracket	29 - 18
C625 2109	Back Tray Bracket	17 - 8
C625 2110	Feed Tray	29 - 8
C625 2110	Feed Tray	17 - 22
C625 2120	Paper Tray:Welding	17 - 1
C625 2122	Separate Feed Tray	17 - 7
C625 2124	Deliivery Bottom Board	17 - 13
C625 2124	Deliivery Bottom Board	29 - 17
C625 2126	Tray Stay	29 - 3

Part No.	Description	Page and Index No.
C625 2126	Tray Stay	17 - 6
C625 2128	Feed Tray Sensor Bracket	17 - 12
C625 2130	Harness Guide	19 - 12
C625 2150	Right Delivery Bottom Board	29 - 5
C625 2152	Upper Delivery Bottom Board	29 - 2
C625 2154	Front Delivery Adjust Board	29 - 7
C625 2156	Back Delivery Adjust Board	29 - 6
C625 2158	Delivery Adjust Board	29 - 1
C625 2750	Front Feed Side Board	11 - 8
C625 2752	Back Feed Side Board	11 - 1
C625 2754	Feed Roller Stay	15 - 19
C625 2755	Feed Unit Plate	9 - 25
C625 2756	Adjust Screw Shaft	9 - 20
C625 2758	Auxiliary Stay	11 - 15
C625 2810	Feed Pressure Lever	15 - 8
C625 2812	Position Sensor Bracket	15 - 13
C625 2850	Left Stay - Intermediate	11 - 16
C625 2860	Timing Belt - 76XL 037	23 - 2
C625 2900	Separation Shaft	15 - 28
C625 2910	Paper Feed Plate Ass'y	13 - 14
C625 2920	Guide Board Sheet	15 - 21
C625 2958	Back Damper Bracket	11 - 5
C625 2960	Damper Shaft	11 - 6
C625 2962	Damper Front Bracket	11 - 13
C625 2964	Front Damper	11 - 14
C625 2965	Back Damper	11 - 12
C625 2968	Exit Cover	7 - 26
C625 3050	Side Fence Base	31 - 8
C625 3050	Side Fence Base	27 - 3
C625 3050	Side Fence Base	19 - 11
C625 3050	Side Fence Base	13 - 8
C625 3052	Timing Belt - S3M 486	21 - 10
C625 3052	Timing Belt - S3M 486	13 - 4
C625 3052	Timing Belt - S3M 486	31 - 4
C625 3052	Timing Belt - S3M 486	37 - 11

Part No.	Description	Page and Index No.
C625 3054	Side Fence Bracket	27 - 7
C625 3054	Side Fence Bracket	13 - 1
C625 3054	Side Fence Bracket	31 - 1
C625 3054	Side Fence Bracket	19 - 5
C625 3056	Rack Bracket	27 - 2
C625 3056	Rack Bracket	13 - 3
C625 3056	Rack Bracket	31 - 3
C625 3056	Rack Bracket	19 - 3
C625 3058	Side Fence Guide Bracket	13 - 9
C625 3058	Side Fence Guide Bracket	27 - 9
C625 3058	Side Fence Guide Bracket	31 - 13
C625 3058	Side Fence Guide Bracket	19 - 16
C625 3060	Side Fence Guide Shaft	31 - 12
C625 3060	Side Fence Guide Shaft	19 - 15
C625 3060	Side Fence Guide Shaft	27 - 8
C625 3060	Side Fence Guide Shaft	13 - 10
C625 3061	Bushing:Guide:Side Fence	19 - 17
C625 3061	Bushing:Guide:Side Fence	31 - 14
C625 3061	Bushing:Guide:Side Fence	35 - 11
C625 3061	Bushing:Guide:Side Fence	13 - 11
C625 3061	Bushing:Guide:Side Fence	27 - 10
C625 3062	Long Guide	9 - 28
C625 3062	Long Guide	3 - 16
C625 3063	Side Fence Guide	3 - 15
C625 3066	Side Fence Rock Bracket	19 - 9
C625 3070	Upper Fedding Shaft	7 - 5
C625 3071	Side Fence Drive Bracket	21 - 12
C625 3071	Side Fence Drive Bracket	37 - 13
C625 3072	Timing Pulley Shaft	21 - 8
C625 3074	Upper Cover - Intermediate	7 - 1
C625 3075	Paper Size Adjust Knob	25 - 13
C625 3075	Paper Size Adjust Knob	3 - 6
C625 3076	Guide Board Stopper	7 - 14
C625 3078	Handle - A - PC-80	7 - 2
C625 3078	Handle - A - PC-80	5 - 21

Part No.	Description	Page and Index No.
C625 3080	Left Side Fence	19 - 14
C625 3082	Right Side Fence	19 - 13
C625 3084	8th Cover	7 - 10
C625 3086	Feeler Folder	7 - 7
C625 3088	Feeler Guide	7 - 8
C625 3102	Back Frame Stopper	9 - 4
C625 3104	Front Frame Stopper	9 - 22
C625 3105	Damper Gear	9 - 21
C625 3106	Upper Guide Board	5 - 14
C625 3108	Under Guide Board	5 - 13
C625 3110	Bushing Bracket	9 - 24
C625 3110	Bushing Bracket	7 - 15
C625 3112	Guide Holder	5 - 11
C625 3114	Front Supporter	5 - 18
C625 3116	Back Supporter	5 - 9
C625 3118	Conect Stopper - LCIT	5 - 17
C625 3150	Upper Guide Board	7 - 24
C625 3152	Sensor Holder	7 - 4
C625 3154	Protect Bracket	7 - 23
C625 3156	Roller Shaft	7 - 20
C625 3158	Upper Pressure Board	7 - 16
C625 3170	Exit Guide Board	7 - 12
C625 3175	Brake Guide	7 - 13
C625 3196	Under Frame	9 - 26
C625 3230	Motor Bracket	9 - 15
C625 3240	1st Timing Belt - 84xl037	5 - 4
C625 3242	Roller Shaft	5 - 3
C625 3244	Feed Roller	5 - 2
C625 3246	1st Bracket	5 - 6
C625 3250	2nd Timing Belt - 120xl037	5 - 7
C625 3262	3rd Shaft	5 - 22
C625 3266	3rd Timing Belt - 198xl037	5 - 12
C625 3270	Lock Cum Lever	9 - 14
C625 3272	Guide Board Shaft	9 - 7
C625 3274	Open Detection Feeler	9 - 2

Part No.	Description	Page and Index No.
C625 3276	Open Detection Holder	9 - 6
C625 3300	Stand Holder	5 - 19
C625 3312	Guide: Bearing	15 - 20
C625 3320	Paper Detection Feeler	9 - 11
C625 3322	Paper Detection Feeler Guide	9 - 10
C625 4004	Side Fence Shaft	35 - 18
C625 4006	Side Fence Guide Board	35 - 20
C625 4360	Right-front Long Guide Board	27 - 16
C625 4362	Left-front Long Guide Board	27 - 17
C625 4364	Front Guide Board	27 - 18
C625 4366	Front Guide Board Side-fence	27 - 13
C625 4370	Side Board Plate Spring	27 - 15
C625 4378	Right-back Long Guide Board	27 - 23
C625 4380	Left-back Long Guide Board	27 - 24
C625 4382	Back Guide Board	27 - 20
C625 4384	Back Guide Board Side-fence	27 - 21
C625 4390	Front Side Fence Adjust-board	27 - 11
C625 4391	Side Fence Guide	27 - 12
C625 4392	Back Side Fence Adjust Board	27 - 22
C625 4400	Left Side Fence	35 - 23
C625 4402	Front Side Fence Bracket	35 - 24
C625 4440	Left Back Side Fence	35 - 22
C625 4442	Back Side Fence Bracket	35 - 19
C625 4700	End Fence Rotate Bracket	35 - 3
C625 4702	End Fence Side Bracket	35 - 2
C625 4704	End Fence Sdie Sfaft	35 - 6
C625 4706	End Fence Bracket	35 - 10
C625 4708	End Fence Hinge Bracket	35 - 14
C625 4710	End Fence Shaft	35 - 26
C625 4713	End Fence Damper 0.8n·m	31 - 16
C625 4714	End Fence Bracket	31 - 17
C625 4720	Upper End Fence Pin - M4*34.8mm	35 - 13
C625 4722	Bottom End Fence Shaft	35 - 16
C625 4800	End Fence Plate	35 - 7
C625 4802	End Fence Cushion	35 - 5

Part No.	Description	Page and Index No.
C625 4808	End Fence Guide	35 - 31
C625 4810	Under End Fence Cushion	35 - 9
C625 4812	Middle End Fence Cushion	35 - 8
C625 5100	Printed Circuit Board - LCIT	41 - *
C625 5100	Printed Circuit Board - LCIT	23 - 1
C625 5101	Printed Circuit Board - LCOT	43 - *
C625 5101	Printed Circuit Board - LCOT	33 - 1
C625 5123	EPROM-LCIT	41 - 1
C625 5123	EPROM-LCIT	23 - 22
C625 5125	EPROM-ICOT	43 - 1
C625 5125	EPROM-LCOT	33 - 17
C625 5200	Sensor Harness	23 - 19
C625 5201	Relay Harness	9 - 12
C625 5202	Intermediate Harness	7 - 6
C625 5203	Motor Harness	23 - 21
C625 5204	M2-m3 Relay Harness	9 - 29
C625 5205	M4 Relay Harness	9 - 27
C625 5206	Main Harness	23 - 20
C625 5207	Feed Tray Relay Harness	17 - 3
C625 5207	Feed Tray Relay Harness	19 - 18
C625 5210	Power Supply Harness	23 - 7
C625 5211	Main SW Harness	11 - 3
C625 5253	Main Harness	33 - 16
C625 5255	Interface Cable Harness	33 - 2
C625 5280	Power Supply Cord (NA)	23 - 6
C625 5281	Power Supply Cord - EU	23 - 6
C625 5300	Main DC Power - 200W	23 - 8
C625 5310	EU Main DC Power - 200W	23 - 8
C625 5805	Push Sw	11 - 10
C625 5805	Push Sw	31 - 23
C625 5810	DC Motor - 27W	33 - 3
C625 5810	DC Motor - 27W	23 - 11
C625 6160	Front Joint	25 - 6
C625 6162	Back Joint	25 - 5
C625 8601	Operating Instructions - NA	3 - 14

Part No.	Description	Page and Index No.
C625 8602	Operting Instructions - EU	3 - 14

Part No.	Description	Page and Index No.
A006 2982	Spacer - M6 X 9	23 - 13
A006 2982	Spacer - M6x9	33 - 4
A109 6342	Cleaning Blade Roller	17 - 16
A109 6342	Cleaning Blade Roller	29 - 14
A232 3552	Ball Bearing - 8x22x7	33 - 18
A232 3552	Ball Bearing - 8x22x7	23 - 23
A232 3553	Ball Bearing:8x16x5	23 - 24
A267 1820	Sheet - Photointerrupter	31 - 20
A267 1820	Sheet - Photointerrupter	21 - 17
A267 1820	Sheet - Photointerrupter	37 - 14
A267 1820	Sheet - Photointerrupter	9 - 30
A267 1820	Sheet - Photointerrupter	15 - 12
A300 2134	Guide Roller - B	5 - 10
A380 1433	Timing Pulley - S2M T70	33 - 9
A380 1433	Timing Pulley - S2M T70	23 - 17
A380 1434	Timing Pulley - S2M T76	33 - 10
A380 1434	Timing Pulley - S2M T76	23 - 16
A380 1803	Timing Pulley - S5M 22Z	21 - 20
A380 1803	Timing Pulley - S5M 22Z	37 - 16
A411 1456	Knob Screw	35 - 1
A499 1378	Stepped Screw - M4x6	37 - 22
A499 1378	Stepped Screw - M4x6	7 - 9
A499 1378	Stepped Screw - M4x6	21 - 29
A499 1378	Stepped Screw - M4x6	9 - 9
A548 6121	Screw - M4	19 - 19
B023 4567	Input Pulley - 18t	21 - 9
B023 4567	Input Pulley - 18t	37 - 10
C201 5125	Stepped Screw - M6	25 - 8
C207 4150	Fixing Screw	19 - 10
C209 3133	Retaining Ring - M6	9 - 19
C209 3133	Retaining Ring - M6	15 - 23
C209 5220	Spacer - 4x20x6	15 - 6
C209 8288	Table Down Switch	11 - 11
C209 8288	Table Down Switch	31 - 24
C217 4426	Shoulder Screw	35 - 25

Part No.	Description	Page and Index No.
C217 5512	Print Pressure Spring	21 - 1
C217 5512	Print Pressure Spring	37 - 2
C219 5073	Stepped Screw	17 - 5
C219 5073	Stepped Screw	29 - 4
C227 6156	Upper Guide Shaft	27 - 19
C229 2780	Side Fence Rack - Right	19 - 2
C229 2781	Side Fence Rack	13 - 2
C229 2781	Side Fence Rack	27 - 1
C229 2781	Side Fence Rack	31 - 2
C229 2781	Side Fence Rack	19 - 1
C229 2838	Pick-up Roller Shaft	15 - 24
C229 2840	Pad	17 - 2
C229 2907	Registration Roller Pulley - 14Z	5 - 5
C229 2946	Motor Pulley	9 - 17
C229 2946	Motor Pulley	23 - 4
C229 2949	Timing Belt - 75-MXL-64	15 - 30
C229 5155	Paper Size Sensor Board	19 - 4
C229 5807	Photosensor - GP2A25	17 - 4
C229 5807	Photosensor - GP2A25	7 - 11
C231 4413	Delivery Table Spring	35 - 15
C232 2981	Lower Transport Roller	7 - 18
C232 2983	Bushing - 6mm	7 - 19
C232 2988	Left Cam Lock	9 - 13
C232 2989	Rhgit Cam Lock	9 - 1
C232 5802	Circuit Board LED Ass'y	15 - 16
C233 4430	Antistatic Brush	35 - 4
C236 5731	Paper Feed Motor Bracket	23 - 3
C238 2832	Feed Arm	15 - 26
C238 2835	Paper Feed Roller	15 - 22
C238 2845	Separation Pad	13 - 13
C238 2864	Paper Sensor Roller	15 - 18
C238 2865	Retainer	15 - 14
C238 2867	Paper Sensor Bracket	15 - 11
C238 2868	Paper Actuator	15 - 15
C238 2873	Adjusting Screw	13 - 16

Part No.	Description	Page and Index No.
C238 2874	Screw Holder	13 - 15
C238 2875	Separation Adjuster	13 - 19
C238 2877	Separation Spring Holder	13 - 18
C238 2878	Separation Spring	13 - 17
C238 2929	Spring Plate	15 - 7
C238 2931	Paper Pressure Arm	15 - 5
C238 2932	Lever Knob	15 - 9
C238 2935	Paper Pressure Roller	15 - 3
C238 2936	Arm Bracket	15 - 2
C238 2939	Spring	15 - 4
C238 2946	Paper Feed Drive Gear	15 - 27
C238 2947	Pick-up Pully	15 - 31
C238 4417	Wing Stopper	27 - 14
C238 5801	Stepper Motor - DC 13.9W	9 - 18
C238 5801	Stepper Motor - DC 13.9W	23 - 5
C239 4401	Front Exit Bracket	25 - 7
C239 4404	Rear Exit Bracket	25 - 4
C252 2783	Knob:Lever:Pressure:Paper Feed Tray	5 - 16
C403 1899	Rubber Bushing - M4	9 - 16
C403 1899	Rubber Bushing - M4	23 - 9
C562 3398	Spacer	7 - 17
C563 1114	Base Adjuster	31 - 9
C563 1117	Adjuster Knob	31 - 10
C563 1312	Gear - 20Z	11 - 7
C563 3116	Belt Joint	21 - 14
C563 3116	Belt Joint	37 - 7
C563 3120	Driven Pulley	37 - 3
C563 3120	Driven Pulley	21 - 5
C563 3122	Pulley Bracket	21 - 2
C563 3122	Pulley Bracket	37 - 5
C563 3124	Pulley Shaft	21 - 6
C563 3124	Pulley Shaft	37 - 4
C563 3132	Flange	21 - 19
C563 3132	Flange	37 - 17
C563 3332	Worm Gear	33 - 5

Part No.	Description	Page and Index No.
C563 3332	Worm Gear	23 - 18
C563 3350	Drive Gear - 45z	37 - 19
C563 3350	Drive Gear - 45z	23 - 15
C563 3350	Drive Gear - 45z	21 - 26
C591 1003	Paper Lock Solenoid	9 - 23
C612 2400	Worm Wheel:Gear:Z44:Z24:Ass'y	33 - 8
C612 2511	Belt Fix Bracket	37 - 6
C612 2511	Belt Fix Bracket	21 - 13
C612 2513	Joint Fix Bracket	37 - 8
C612 2513	Joint Fix Bracket	21 - 15
C612 2520	Timing Belt - 300/S5M	37 - 1
C612 2520	Timing Belt - 300/S5M	21 - 4
C612 2610	Tension Pulley Bracket	35 - 30
C612 2610	Tension Pulley Bracket	33 - 11
C612 2610	Tension Pulley Bracket	21 - 22
C612 2810	Front Pulley Bracket	33 - 12
C612 2820	Rear Pulley Bracket	35 - 29
C612 2820	Rear Pulley Bracket	21 - 23
C612 3320	Sensor Feeler	21 - 21
C612 3320	Sensor Feeler	37 - 18
G006 4917	Spacer : 8x0.2	5 - 1



Part No.	Description	Page and Index No.
AA06 0354	Pressure Spring	9 - 8
AA06 0921	Tension Spring:Shutter	7 - 25
AA06 3580	Compression Spring	7 - 21
AA06 3610	Spring - 4060mn	7 - 22
AA08 0247	Bushing - B-f6-3	31 - 7
AA08 0247	Bushing - B-f6-3	27 - 5
AA08 0247	Bushing - B-F6-3	13 - 7
AA08 0247	Bushing - B-F6-3	19 - 7
AA14 3129	Shoulder Screw - Front Cover	17 - 15
AA14 3129	Shoulder Screw - Front Cover	29 - 15
AA14 3129	Shoulder Screw - Front Cover	5 - 8
AA14 3358	Stepped Screw - M4x3	35 - 21
AA14 3402	Screw - Scale	15 - 29
AA14 3715	Stepped Screw - M5	31 - 11
AA14 3715	Stepped Screw - M5	13 - 12
AA14 3716	Stepped Screw	11 - 18
AB01 7213	Gear - 18/15Z	27 - 6
AB01 7213	Gear - 18/15Z	19 - 8
AB01 7213	Gear - 18/15Z	31 - 5
AB01 7213	Gear - 18/15Z	13 - 5
AB03 0216	Pulley - 15Z	33 - 7
AB03 0216	Pulley - 15Z	23 - 14
AH01 2010	Caster - 50m	13 - 22
AH01 2010	Caster - 50m	31 - 22
AW01 0087	Photo Sensor - Ass'y	17 - 11
AW02 0025	Lower Bin/Jam Sensor	35 - 27
AW02 0026	Upper Bin/Jam Sensor	33 - 15
AW02 0075	Photointerruptor	37 - 15
AW02 0075	Photointerruptor	15 - 10
AW02 0075	Photointerruptor	31 - 18
AW02 0075	Photointerruptor	9 - 5
AW02 0075	Photointerruptor	21 - 16

Part No.	Description	Page and Index No.
0314 0050N	Pan Head Screw-m4x5	35 -105
0352 5040N	Screw-m2.5x4	9 -108
0353 0050N	Screw:M3x5	7 -103
0353 0060B	Philips Pan Head Screw - M3x6	11 -105
0353 0100N	Screw-m3x10	17 -105
0353 0100N	Screw - M3x10	35 -107
0353 0160Z	Philips Pan Head Screw - M3x16	33 -110
0354 0040N	Screw:M4x4	11 -108
0354 0060N	Screw - M4x6	25 -102
0354 0100B	Screw - M4x10	9 -107
0354 0140B	Screw - M4x14	23 -104
0354 0140B	Screw - M4x14	9 -106
0450 3006B	Tapping Screw - M3x6	13 -107
0450 3006B	Tapping Screw - M3x6	27 -107
0451 3005B	Tapping Screw - M3x5	31 -104
0451 3006B	Tapping Screw - M3x6	9 -109
0451 3006B	Tapping Screw - M3x6	21 -104
0451 3006B	Tapping Screw - M3x6	7 -109
0451 3006B	Tapping Screw - M3x6	37 -103
0451 3006B	Tapping Screw - M3x6	13 -102
0451 3006B	Tapping Screw - M3x6	33 -101
0451 3006B	Tapping Screw - M3x6	31 -101
0451 3006B	Tapping Screw - M3x6	15 -106
0451 3006B	Tapping Screw - M3x6	35 -104
0451 3006B	Tapping Screw - M3x6	23 -110
0451 3006B	Tapping Screw - M3x6	19 -104
0451 3006H	Tapping Screw - 3x6	3 -102
0451 3008B	Tapping Scew - M3x8	13 -101
0451 3008B	Tapping Screw - M3x8	19 -101
0451 3008H	Tapping Screw:M3x8	31 -108
0451 3008H	Tapping Screw:M3x8	27 -102
0451 4006B	Tapping Screw - 4x6	15 -102
0451 4006B	Tapping Screw - 4x6	21 -102
0451 4006B	Tapping Screw - 4x6	19 -105
0451 4006B	Tapping Screw - 4x6	33 -102

Part No.	Description	Page and Index No.
0451 4006B	Tapping Screw - 4x6	13 -106
0451 4006B	Tapping Screw - 4x6	31 -103
0451 4006B	Tapping Screw - 4x6	23 -111
0451 4006B	Tapping Screw - 4x6	11 -102
0451 4006B	Tapping Screw - 4x6	37 -104
0451 4006B	Tapping Screw - 4x6	5 -107
0451 4006B	Tapping Screw - 4x6	7 -101
0451 4006B	Tapping Screw - 4x6	35 -106
0451 4006H	Tapping Screw - M4x6	15 -107
0451 4006H	Tapping Screw - M4x6	11 -109
0451 4006H	Tapping Screw - M4x6	27 -101
0451 4006H	Tapping Screw - M4x6	5 -104
0451 4006H	Tapping Screw - M4x6	7 -108
0451 4006H	Tapping Screw - M4x6	9 -102
0451 4008B	Philips Tapping Screw - M4x8	23 -109
0451 4008B	Philips Tapping Screw - M4x8	21 -108
0451 4008B	Philips Tapping Screw - M4x8	33 -103
0451 4008B	Philips Tapping Screw - M4x8	11 -101
0451 4008B	Philips Tapping Screw - M4x8	15 -101
0451 4008H	Tapping Screw - 4x8	19 -110
0451 4008H	Tapping Screw - 4x8	3 -101
0451 4008H	Tapping Screw - 4x8	29 -103
0451 4008H	Tapping Screw - 4x8	7 -110
0451 4008H	Tapping Screw - 4x8	25 -101
0451 4008H	Philips Tapping Screw - M4x8	17 -101
0451 4012B	Tapping Screw - 4x12	15 -105
0453 3006B	Tapping Screw - M3x6	9 -104
0453 3006B	Tapping Screw - M3x6	7 -105
0453 3006B	Tapping Screw - M3x6	17 -106
0574 0040E	Hexagon Headless Set Screw - M4x4	33 -109
0574 0040E	Hexagon Headless Set Screw - M4x4	5 -102
0574 0040E	Hexagon Headless Set Screw - M4x4	23 -105
0574 0040E	Hexagon Headless Set Screw - M4x4	9 -105
0633 0140G	Parallel Pin - 3x14	15 -112
0708 0080N	Washer-dia8	17 -104

Part No.	Description	Page and Index No.
0708 0080N	Washer-dia8	29 -101
0711 0100N	Hexagonal Nut-m10	9 -111
0720 0030E	Retaining Ring - M3	35 -102
0720 0030E	Retaining Ring - M3	15 -108
0720 0040E	Retaining Ring - M4	23 -108
0720 0040E	Retaining Ring - M4	33 -106
0720 0040E	Retaining Ring - M4	27 -104
0720 0040E	Retaining Ring - M4	15 -103
0720 0040E	Retaining Ring - M4	13 -105
0720 0040E	Retaining Ring - M4	7 -102
0720 0040E	Retaining Ring - M4	19 -107
0720 0040E	Retaining Ring - M4	31 -107
0720 0050Z	Retaining Ring - M5	15 -104
0720 0050Z	Retaining Ring - M5	23 -101
0720 0060E	Retaining Ring - M6	9 -101
0720 0060E	Retaining Ring - M6	23 -107
0720 0060E	Retaining Ring - M6	5 -101
0720 0060E	Retaining Ring - M6	17 -102
0720 0060E	Retaining Ring - M6	11 -104
0720 0060E	Retaining Ring - M6	7 -104
0720 0060E	Retaining Ring - M6	33 -105
0720 0060E	Retaining Ring - M6	29 -102
0720 0060E	Retaining Ring - M6	37 -101
0720 0060E	Retaining Ring - M6	21 -101
0720 0080E	Retaining Ring - M8	31 -106
0720 0080E	Retaining Ring - M8	13 -104
0720 0080E	Retaining Ring - M8	27 -105
0720 0080E	Retaining Ring - M8	35 -103
0720 0080E	Retaining Ring - M8	19 -108
0741 3006	Ball Bearing - 6x17x6mm	23 -112
0741 3006	Ball Bearing - 6x17x6mm	33 -107
0741 3808	Ball Bearing - 8x16x5mm	37 -105
0741 3808	Ball Bearing - 8x16x5mm	21 -107
0802 5276	Tapping Screw With Washer - M3x6	7 -111
0802 5281	Tapping Screw - M4x6	27 -106

Part No.	Description	Page and Index No.
0802 5281	Tapping Screw - M4x6	21 -103
0802 5281	Tapping Screw - M4x6	21 -106
0802 5281	Tapping Screw - M4x6	19 -103
0802 5281	Tapping Screw - M4x6	9 -110
0802 5281	Tapping Screw - M4x6	15 -109
0802 5281	Tapping Screw - M4x6	35 -101
0802 5281	Tapping Screw - M4x6	33 -104
0802 5281	Tapping Screw - M4x6	23 -103
0802 5282	Tapping Screw - M4x8	9 -103
0802 5282	Tapping Screw - M4x8	31 -102
0802 5282	Tapping Screw - M4x8	13 -103
0802 5282	Tapping Screw - M4x8	37 -102
0802 5282	Tapping Screw - M4x8	19 -102
0802 5282	Tapping Screw - M4x8	11 -103
0802 5282	Tapping Screw - M4x8	5 -105
0802 5282	Tapping Screw - M4x8	21 -105
0802 5282	Tapping Screw - M4x8	27 -103
0803 0041	Screw - M4	31 -105
0805 3368	Ball Bearing - 8x16x5mm	5 -103
0805 3368	Ball Bearing - 8x16x5mm	15 -111
0805 3471	Ball Bearing:DIA8xDIA22x7	29 -104
0805 3471	Ball Bearing:DIA8xDIA22x7	17 -103
0807 5037	Washer - 8.1mm	15 -113
0954 3006B	Screw - M3X6	19 -106
0954 3006B	Screw - M3X6	23 -102
0954 4008B	Philips Screw - M4x8	23 -113
1102 4201	Connector - 2P	41 -101
1102 4202	Connector - 3P	41 -102
1102 4202	Connector - 3P	43 -101
1102 4203	CT Header - 4P	41 -103
1102 4204	CT Header - 5P	43 -102
1102 4205	CT Header - 6P	41 -104
1102 4207	Connector - 8P	43 -103
1102 4209	CT Header - 10P	41 -105
1102 4497	Connector - 13P	43 -104

Part No.	Description	Page and Index No.
1102 4683	Connector - 5566-02A-210	43 -105
1102 4683	Connector - 5566-02A-210	41 -106
1102 4684	Connector - 5566-06R-210	41 -107
1102 5007	CT Header - 14P	41 -108
1102 5301	Connector - 2P	43 -106
1102 5718	Optical Fiber Connector	41 -109
1102 7583	Connector	41 -110
1102 9109	Connector - 353297-4	41 -111
1102 9109	Connector - 353297-4	43 -107
1102 9121	Connector:2-353308-4	41 -112
1102 9669	1102-connector-2p	41 -113
1102 9670	1102-connector-3p	41 -114
1102 9672	1102-connector-6p	43 -108
1104 0337	Fuse Holder	41 -115
1104 0337	Fuse Holder	43 -109
1104 0588	DIP Socket - 28p	41 -116
1104 0588	DIP Socket - 28p	43 -110
1105 0328	Harness Clamp - ES-0505	7 -107
1105 0487	Harness Clamp	23 -115
1105 0511	Harness Clamp - LWS-0306ZC	37 -106
1105 0511	Harness Clamp - LWS-0306ZC	19 -109
1105 0511	Harness Clamp - LWS-0306ZC	27 -108
1105 0511	Harness Clamp - LWS-0306ZC	17 -108
1105 0511	Harness Clamp - LWS-0306ZC	7 -106
1105 0511	Harness Clamp - LWS-0306ZC	15 -110
1105 0511	Harness Clamp - LWS-0306ZC	33 -108
1105 0511	Harness Clamp - LWS-0306ZC	21 -109
1105 0516	Clamp	23 -114
1105 0516	Clamp	5 -106
1105 0516	Clamp	9 -112
1105 0516	Clamp	13 -108
1105 0521	Clamp - LES-1017	23 -116
1105 0522	Edge Saddle - LES0510	23 -117
1105 0522	Edge Saddle - Les0510	17 -107
1105 0544	Edge Saddle:Les-2017	9 -113

Part No.	Description	Page and Index No.
1106 0167	Bushing - 11mm	15 -114
1106 0348	Bushing - 19	11 -106
1107 0392	Fuse - 6.3A 125V	41 -117
1107 1067	FUSE:ET-6.3A	43 -111
1204 1422	DIP Switch - 51D-0401	41 -118
1204 1422	DIP Switch - 51D-0401	43 -112
1204 2194	Fuse Holder	43 -113
1204 2501	Main Switch	11 -107
1400 0688	Transistor -DTC143ZUA	41 -119
1400 0810	Transistor:DTC114EUA	41 -120
1400 0810	Transistor:DTC114EUA	43 -114
1401 0980	Fet-2SJ220S	43 -115
1401 0980	Fet-2SJ220S	41 -121
1401 1186	Fet-2SK3150(S)	43 -116
1401 1186	Fet-2SK3150(S)	41 -122
1401 1224	Fet-2SK2938(S)	43 -117
1402 1332	Zenor Diode:UDZ10B	41 -123
1402 1332	Zenor Diode:UDZ10b	43 -118
1402 1365	Diode-RB751V-40	43 -119
1402 1554	Diode-rb160I-60	43 -120
1402 1554	Diode-RB160I-60	41 -124
1403 0996	LED - SML-310VT	43 -121
1403 0996	LED - SML-310VT	41 -125
1407 2187	TTLIC - SN74LS07NS	43 -122
1407 2187	TTLIC - SN74LS07NS	41 -126
1407 5162	IC - HD6412350F20	43 -123
1407 5162	IC - HD6412350F20	41 -127
1407 5353	IC - SN74LV244APW	43 -124
1407 5353	IC - SN74LV244APW	41 -128
1407 5387	IC - SN74LV04ANS	43 -125
1407 5387	IC - SN74LV04ANS	41 -129
1407 5388	IC - SN74LV08ANS	43 -126
1407 5388	IC - SN74LV08ANS	41 -130
1407 5415	IC - SN74LV32ANS	43 -127
1407 5415	IC - SN74LV32ANS	41 -131

Part No.	Description	Page and Index No.
1408 0575	IC - M51957BFP	41 -132
1408 0575	IC - M51957BFP	43 -128
1408 0826	IC - TA8428K	41 -133
1408 1410	IC - STK672-120	41 -134
1503 0993	Crystal Oscilator- 14.7456Mhz	43 -129
1503 0993	Crystal Oscilator- 14.7456mhz	41 -135
1602 0987	Capacitor & Coil - 270pF 100V	41 -136
1604 4728	Capacitor - 100μF ±20% 16V	43 -130
1604 4728	Capacitor - 100μF ±20% 16V	41 -137
1604 5066	Capacitor 100μF:±20%:50V	43 -131
1604 5066	Capacitor 100μF:±20%:50v	41 -138
1605 0987	Ceramic Capacitor-470pf/630V	41 -139
1605 1148	Capacitor - 0.1μF +80-20% 50V	43 -132
1605 1148	Capacitor - 0.1μF +80-20% 50V	41 -140
1605 1160	Capacitor:0.22μF:+80-20%:16v	41 -141
1605 1160	Capacitor:0.22μF:+80-20%:16V	43 -133
1605 1204	Capacitor-PF50V	43 -134
1605 1221	Capacitor - 0.1 μF+80-20%16V	41 -142
1605 1221	Capacitor - 0.1 μF+80-20%16V	43 -135
1607 0534	Ferrite Core - ZCAR3035-1330	23 -118
1633 0000	Resistor - 0 Ω 1/10W	43 -136
1633 0000	Resistor - 0 Ω 1/10W	41 -143
1644 1100	Capacitor - 10μF ±20% 16V	41 -144
1644 5100	Capacitor - 10μF ±20% 50V	41 -145
1650 2121	Resistor:120Ω:±5%:1/4w:3216	41 -146
1650 2472	Chip Resistor-4.7k	43 -137
1650 2472	Chip Resistor-4.7k	41 -147
1650 3101	Resistor - 100Ω±5%1/8W	43 -138
1650 3101	Resistor - 100Ω±5%1/8W	41 -148
1650 3221	Resistor - 220Ω±5%1/8W	41 -149
1650 3512	Chip Resistor-5.1k	41 -150
1650 3512	Chip Resistor-5.1k	43 -139
1650 4100	Resistor - 10Ω ±5% 1/10W	41 -151
1650 4100	Resistor - 10Ω ±5% 1/10W	43 -140
1650 4102	Resistor - 1KΩ ±5% 1/10W	43 -141

Part No.	Description	Page and Index No.
1650 4103	Resistor - 10K $\Omega$ $\pm$ 5% 1/10W	41 -152
1650 4103	Resistor - 10K $\Omega$ $\pm$ 5% 1/10W	43 -142
1650 4105	Resistor - 1M $\Omega$ $\pm$ 5% 1/10W	41 -153
1650 4105	Resistor - 1M $\Omega$ $\pm$ 5% 1/10W	43 -143
1650 4222	Resistor - 2.2K $\Omega$ $\pm$ 5%1/10W	43 -144
1650 4222	Resistor - 2.2K $\Omega$ $\pm$ 5%1/10W	41 -154
1650 4330	Chip Resistor - 33 $\Omega$ $\pm$ 5% 1/10W	43 -145
1650 4330	Chip Resistor - 33 $\Omega$ $\pm$ 5% 1/10w	41 -155
1650 4332	Resistor - 3.3K $\Omega$ $\pm$ 5%1/10W	43 -146
1650 4821	Chip Resistor - 820 $\Omega$ $\pm$ 5% 1/10w	41 -156
1650 4821	Chip Resistor - 820 $\Omega$ $\pm$ 5% 1/10W	43 -147
1654 1001	Resistor - 1K $\Omega$ $\pm$ 1%1/10W	41 -157
1654 1002	Resistor - 10K $\Omega$ $\pm$ 5%1/10W	41 -158
1654 1002	Resistor - 10K $\Omega$ $\pm$ 5%1/10W	43 -148
1654 3741	Chip Resistor:3.74k $\Omega$	41 -159
1654 3741	Chip Resistor:3.74k $\Omega$	43 -149
1654 6802	Chip Resistor-68k	41 -160
1654 7501	Resistor - 7.5K $\Omega$ $\pm$ 1%1/10W-1608	41 -161
1660 0100	Capacitor - 10PF $\pm$ 0.5pF 50V	43 -150
1660 0100	Capacitor - 10PF $\pm$ 0.5pF 50V	41 -162
1660 2220	Capacitor - 22pF $\pm$ 20% 35V	41 -163
1660 2471	Capacitor - 470pF - $\pm$ 5% - 50V	41 -164
1660 2471	Capacitor - 470pF - $\pm$ 5% - 50V	43 -151
1660 4103	Capacitor - 10000pF - $\pm$ 10% - 50V	41 -165
1660 4103	Capacitor - 10000pF - $\pm$ 10% - 50V	43 -152
1660 8104	Capacitor - 0.1 $\mu$ F +80-20% 25V	41 -166
1660 8104	Capacitor - 0.1 $\mu$ F +80-20% 25V	43 -153
1905 0045	UVEPROM-512k-100NS	43 -154

Part No.	Description	Page and Index No.
5053 0223	Bushing - 8mm	15 - 25
5053 0223	Bushing - 8mm	9 - 3
5053 0223	Bushing - 8mm	21 - 11
5053 0223	Bushing - 8mm	37 - 12
5054 0536	Magnet Catch Ass'y	35 - 17
5203 2679	Pinion Tightening Screw - M4x5	5 - 15
5215 2621	Snap Ring - M6	21 - 3
5215 2621	Snap Ring - M6	37 - 9
5419 5714	Stepped Screw - M4	13 - 6
5419 5714	Stepped Screw - M4	19 - 6
5419 5714	Stepped Screw - M4	27 - 4
5419 5714	Stepped Screw - M4	31 - 6
5442 1659	Stepped Screw - M4	29 - 11
5442 1659	Stepped Screw - M4	17 - 18
5447 2681	Snap Ring	35 - 12
5501 8195	Steel Ball 3/16,	15 - 32
5875 2088	Shoulder Screw - M4	17 - 17
5887 4156	Spring - Driven Roller	5 - 20
5938 2765	Rubber Pad	11 - 17
6803 4211	Pulley - 18T	15 - 1